

Spare Parts list

Multi & Mucross Lift

Mucross Super Low

Model MUL30

Model MUL30E

Mucross Alignment

Model MUL30H Alignment

(Without Pricing)

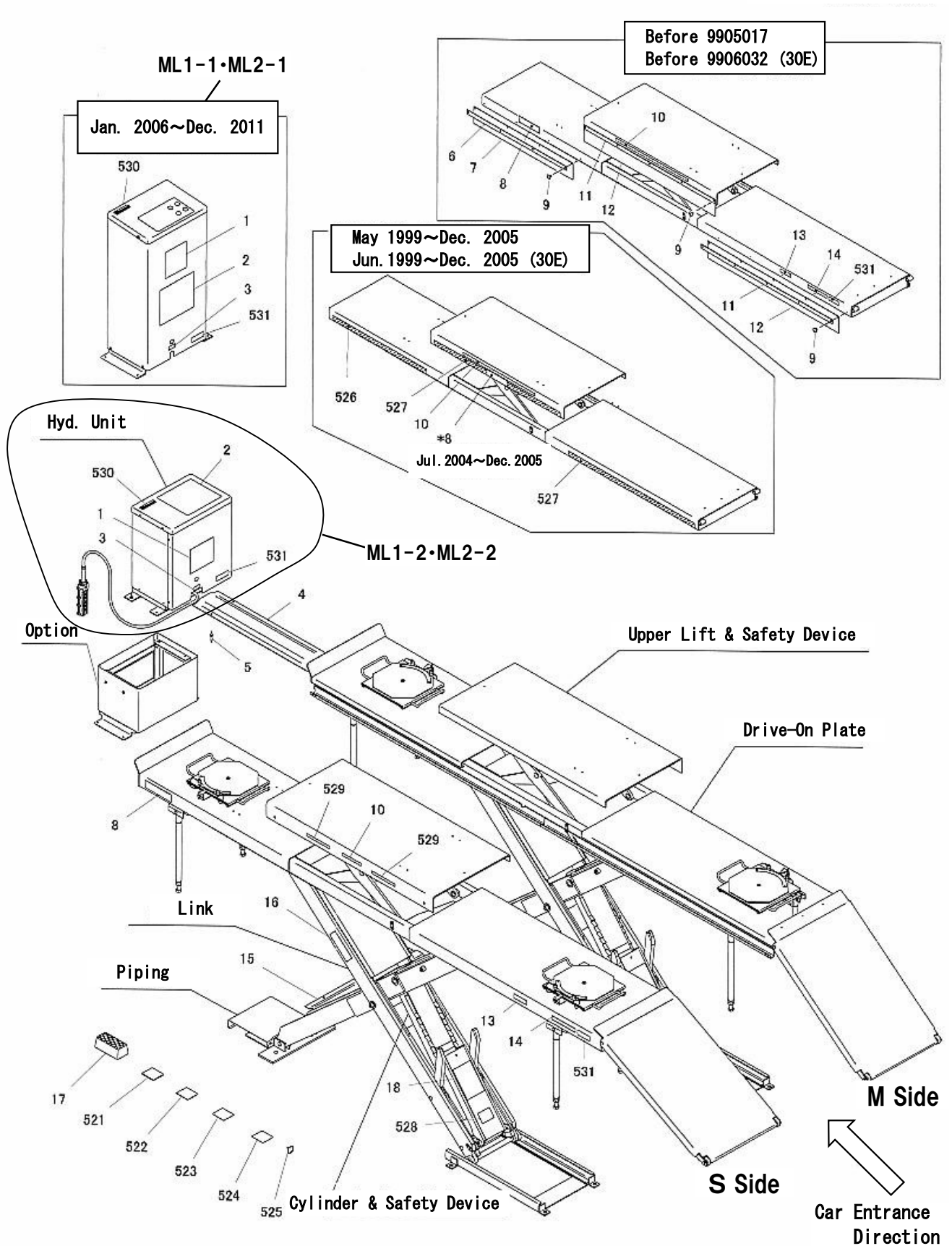
Note : Ask Manufacturer for the parts info. of Pit Model
(MUL30P, 30EP, 30HP Alignment)

Contents

| | (Page) |
|---|-----------|
| Contents | 1) |
| 1 Overall View | 2) ~ 3) |
| 2 M Link | 4) ~ 5) |
| 3 Cylinder and Safety Device | 6) ~ 11) |
| 4 Drive-On Plate | 12) ~ 13) |
| 5 Upper Lift | 14) ~ 15) |
| 6 Upper Lift Safety Device | 16) ~ 17) |
| 7 Piping (Before Dec. 2011) | 18) ~ 21) |
| 8 Piping (Before Jan. 2012) | 22) ~ 23) |
| 9 Valve Manifold & Air Parts (Before Dec. 2011) | 24) ~ 27) |
| 10 Valve Manifold & Air Parts (After Jan. 2012) | 28) ~ 31) |
| 11 Hyd. Unit (Before Dec. 2011) Model With Upper Lift (MUL30 & MUL30H) | 32) ~ 35) |
| 12 Hyd. Unit (Before Dec. 2011) Model Without Upper Lift (MUL30E) | 36) ~ 39) |
| 13 Hyd. Unit (After Jan. 2012) | 40) ~ 43) |
| 14 Wiring (After Jan. 2012) | 44) ~ 45) |
| 15 Countermeasure Parts for Old Shimadzu Pump | 46) ~ 47) |

Overall View

Model MUL30·MUL30E
Model MUL30H Alignment



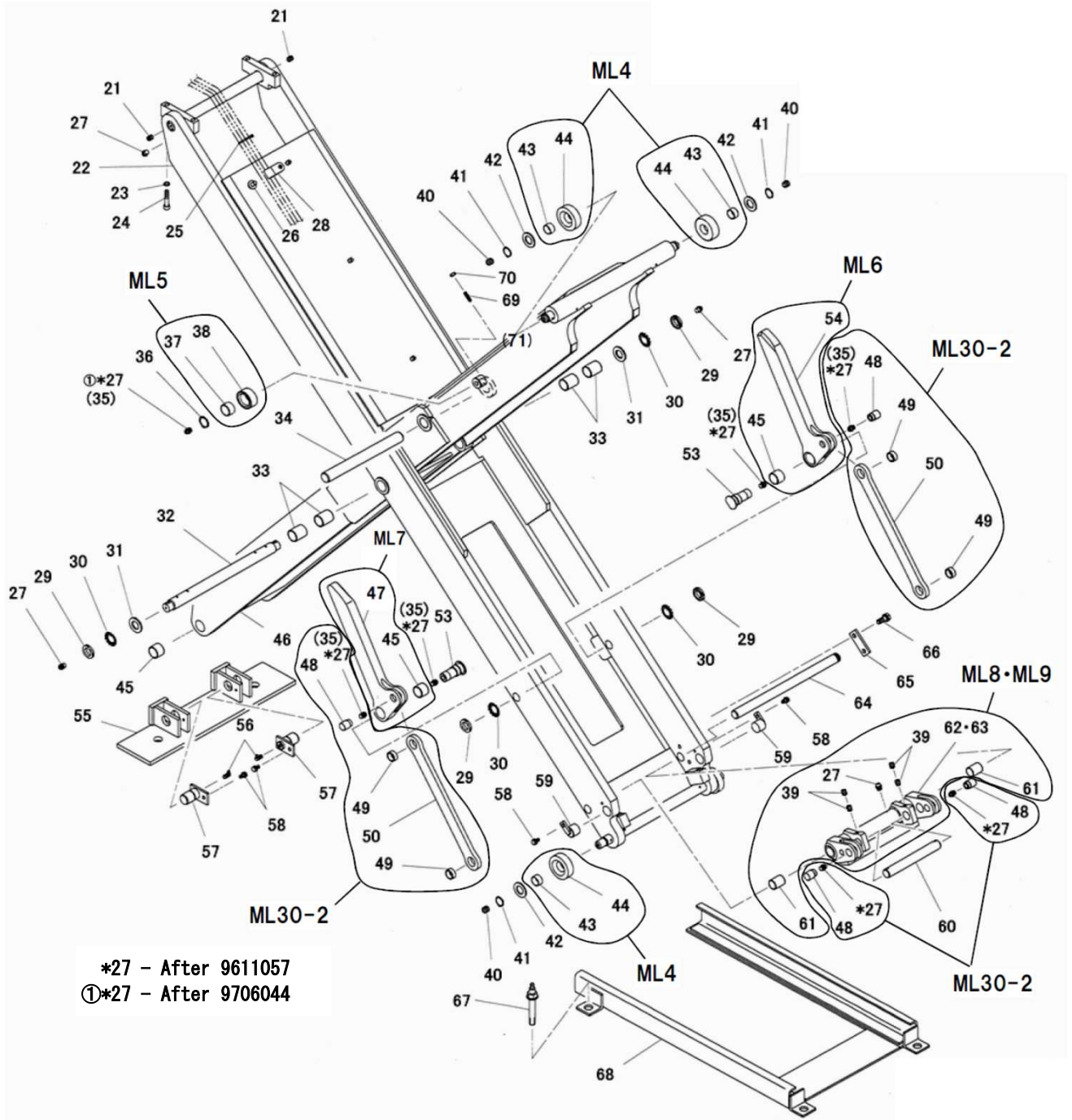
Overall View

MUL30·MUL30E·MUL30H Alignment

| Ill. No. | Parts No. | Parts Name | Standard | Change Date & Note | Qty/Unit | | Price/ea. |
|----------|------------------|---------------------------------------|--------------------------|--------------------|----------|-----|-----------|
| | | | | | 30・30H | 30E | |
| ML1-1 | Ask | Hyd. Unit Assy | Need Serial No. Info. | Before Dec. 2011 | 1 | N/A | |
| ML1-2 | Ask | Hyd. Unit Assy | Need Serial No. Info. | After 1201001 | 1 | N/A | |
| ML2-1 | Ask | Hyd. Unit Assy | Need Serial No. Info. | Before Dec. 2011 | N/A | 1 | |
| ML2-2 | Ask | Hyd. Unit Assy | Need Serial No. Info. | After 1201001 | N/A | 1 | |
| 1 | 11025140 | Capacity Chart Label | (Only Alignment Model) | | 1 | 1 | |
| 2 | Refer to Page 48 | Caution Label A1 | (With Illustration) | | 1 | 1 | Ask |
| | | Caution Label A2 | | | 1 | 1 | |
| 3 | 11025380 | Caution Label E | New and Old compatible | After 0509029 | 1 | 1 | |
| 4-1 | 11109080 | Piping Cover B (Hole Diameter | 13Φ-1200mm) | Before 9708025 | 3 | N/A | |
| 4-2 | 11109081 | Piping Cover B (Hole Diameter | 10Φ-1200mm) | After 9708026 | 3 | N/A | |
| 5-1 | 91011090 | Anchor Bolt | AAC-1090 | Before 9708025 | 16 | 16 | |
| 5-2 | 91010870 | Anchor Bolt | AAC-0870 | After 9708026 | 16 | 16 | |
| 6 | 11109000 | Guard Holder S | Abolished after May 1999 | | 2 | 2 | |
| 7 | 51109040 | Guard A | Abolished after May 1999 | | 2 | 2 | |
| 8 | 52611403 | Bishamon Label | Old and New compatible | | 2 | 2 | |
| 9 | 91030810 | Screw (MST0810SE) | Abolished after May 1999 | | 28 | 28 | |
| 10-1 | N/A | CG Label (Compatible with 10-2 & 529) | | Before Dec. 2005 | 2 | 2 | N/A |
| 10-2 | 11025180 | CG Label B | | After Jan. 2006 | 2 | 2 | |
| 11 | 11109020 | Guard Holder | Abolished after May 1999 | | 4 | 4 | |
| 12 | 51109060 | Guard B | Abolished after May 1999 | | 4 | 4 | |
| 13 | 11025200 | Caution Label B | | | 2 | 2 | |
| 14 | 51325300 | Capacity Label | | | 2 | 2 | |
| 15-1 | 01497220 | Piping Cover A (Hole Diameter | 13Φ、905mm) | Before 9708025 | 1 | 1 | |
| 15-2 | 01497221 | Piping Cover A (Hole Diameter | 10Φ、905mm) | After 9708026 | 1 | 1 | |
| 16 | See Page 48 | Lubrication Instruction Label | | (9610002~) | 2 | 2 | |
| 17 | 51313020 | Side Sill Block | | | 4 | N/A | |
| 18 | See Page 48 | Regular Inspection Label | | After Sep. 1997 | 2 | 2 | |
| 521 | 11350070 | Levelling Spacer 6mm | | | 8 | 8 | |
| 522 | 11350080 | Levelling Spacer 3mm | | | 8 | 8 | |
| 523 | 11350090 | Levelling Spacer 1.6mm | | | 8 | 8 | |
| 524 | 11350100 | Levelling Spacer 0.8mm | | | 8 | 8 | |
| 525 | 80825293 | Vinyl Fastener | CV-200 | | 10 | 10 | |
| 526 | 51112640 | Stripe Tape S | | | 2 | 2 | |
| 527 | 11784060 | Stripe Tape | | | 4 | 4 | |
| 528 | N/A | Caution Label B | (Grease Up) | After 9903021 | 2 | 2 | |
| 529 | 51309540 | CG LabelB | | After Jan. 2006 | 4 | 4 | |
| 530 | 52606403 | Bishamon Label | | | 1 | 1 | |
| 531 | Ask | Serial Plate | | | 2 | 2 | Ask |
| | | | | | | | |
| | 61496090 | Spacer Set | | 521~524, 8ea. | 1 | 1 | |
| | | | | | | | |

M Link

Model MUL30·MUL30E
Model MUL30H Alignment



M Link

MUL30・MUL30E・MUL30H Alignment

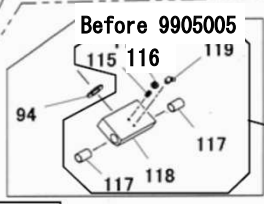
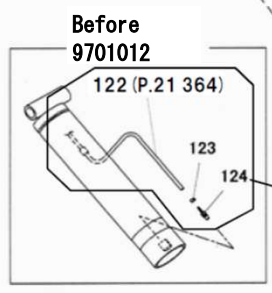
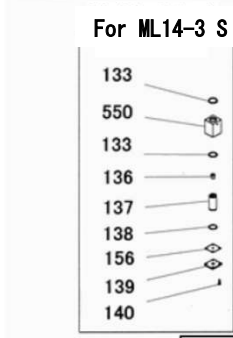
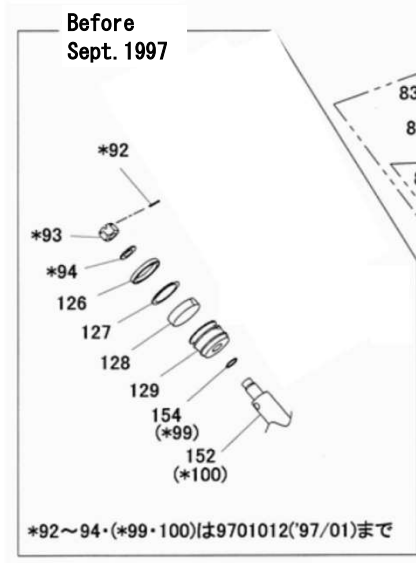
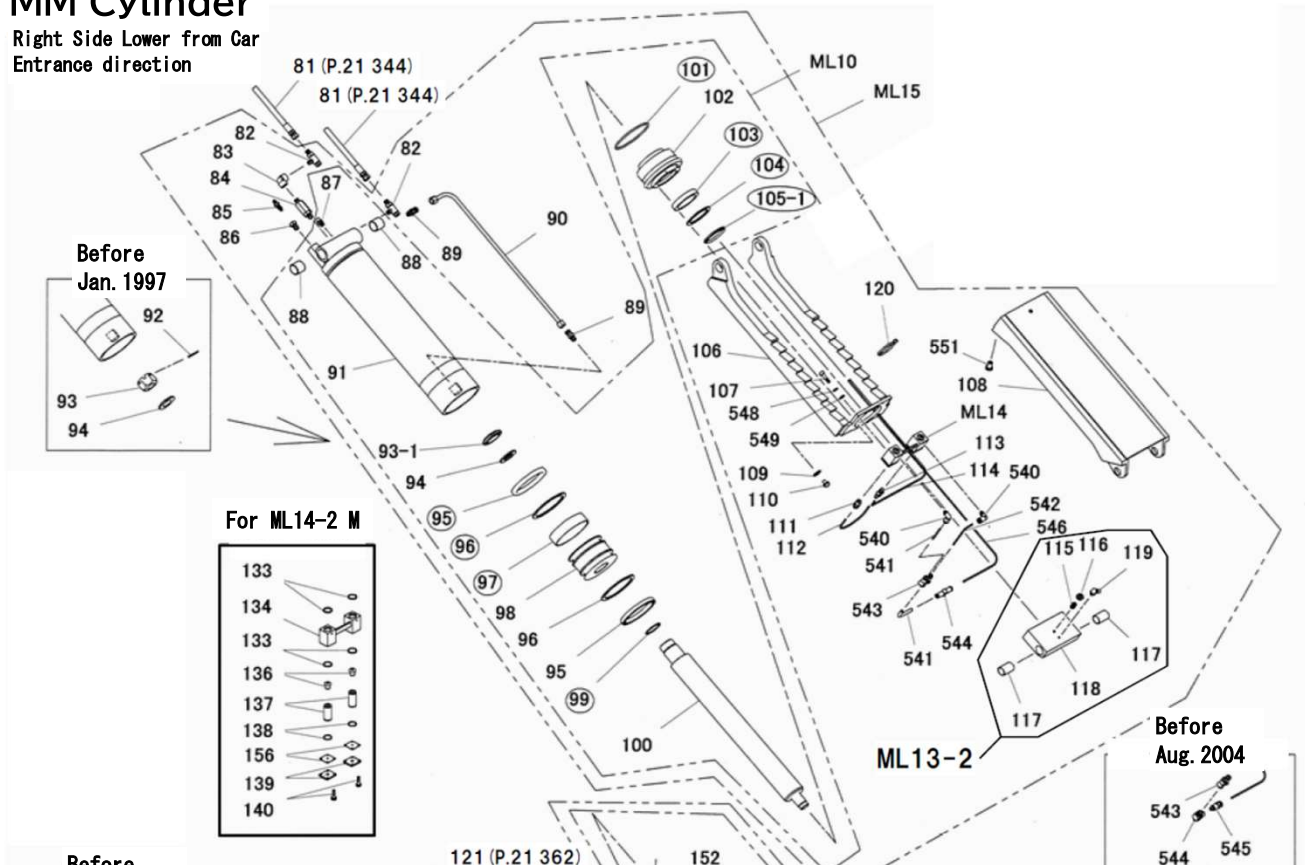
| Ill. No. | Parts No. | Parts Name | Standard | Change Date & Note | Qty/Unit | Price/ea. |
|----------|-----------|--|--|---|----------------|-----------|
| ML4 | 75005720 | Guide Roller Assy | 43・44 | | 8 | |
| ML5 | 75005700 | Cam Roller Assy | 37・38 | | 4 | |
| ML6 | 75005740 | Cam Plate R Assy | 45・54 | | 2 | |
| ML7 | 75005760 | Cam Plate L Assy | 45・47 | | 2 | |
| ML8 | 75005800 | MM Lever Crank Assy | 27・39・61・62 | | 1 | |
| ML9 | 75005820 | MS Lever Crank Assy | 27・39・61・63 | | 1 | |
| ML30-2 | 75005781 | Connecting Plate Assy | 27・48~50 | After 9611057 New and Old compatible | 4 | |
| 21 | 90960608 | Hex Socket Head Screw | HSS0608 | | 4 | |
| 22 | N/A | M Outer Link | | | 1 | N/A |
| 23 | 91100510 | Spring Washer | CDW2H10 | | 8 | |
| 24 | 90921050 | Hex Socket Head Cap Bolt | HSB1050 | | 8 | |
| 25 | 80825291 | Vinyl Fastener | CV-150 | | 8 | |
| 26 | 90780510 | Pan Head Screw | MSRPS0510SE | | 6 | |
| 27 | 80826996 | Grease Fitting (GNASM6X0.75) | Qty was changed after 9611057 Qty was changed after 9706044 | | 18→30 30→34 | |
| 28 | 80825557 | Nylon Clamp | 3327 | | 6 | |
| 29 | 81000005 | Bearing Nut | AN05 | 9611057~数変更 | 4→8 | |
| 30 | 81004005 | ベアリング座金 | AW05 | 9611057~数変更 | 4→8 | |
| 31 | 90930724 | Flat Washer | PW24SE | | 4 | |
| 32-1 | 11109300 | M Link Center Shaft | 30R-414 | Before May 2004 | 2 | |
| 32-2 | 11109301 | M Link Center Shaft | 30R-422 | After June 2004 | 2 | |
| 33 | 81773040 | Drymet LF Bushing | LFB-3040 | | 8 | |
| 34 | 11109320 | M Cylinder End Shaft | 30R-284 | | 2 | |
| 35 | 80827101 | Grease Fitting (BOC1/4) | Qty was changed after 9611057 Qty was changed after 9706044 | | 16→4 4→0 | |
| 36 | 80845019 | Snap Ring | RR030 | | 4 | |
| 37 | 81773020 | Drymet LF Bushing | LFB-3020 | | 4 | |
| 38 | 11109340 | Cam Roller | | | 4 | |
| 39 | 90960810 | Hex Socket Head Screw(HSS0810) | Qty was changed after 9611057 | | 16→8 | |
| 40 | 90960808 | Hex Socket Head Screw | HSS0808 | | 8 | |
| 41 | 80845015 | Snap Ring | RR025 | | 8 | |
| 42 | 90931224 | Flat Washer | PWS24SE | | 8 | |
| 43 | 81772515 | Drymet LF Bushing | LFB-2515 | | 8 | |
| 44 | 11109380 | Guide Roller | | | 8 | |
| 45 | 81773025 | Drymet LF Bushing | LFB-3025 | | 8 | |
| 46 | N/A | M Inner Link | | | 2 | N/A |
| 47 | N/A | Cam Plate | | Replace with ML7 | 2 | N/A |
| 48-1 | N/A | Crank Pin (New and Old compatible in 48-2 and 27) | | Before 9611056 | | N/A |
| 48-2 | 11109401 | Crank Pin | 25R-28.5 | After 9611057 | 8 | |
| 49-2 | 11109500 | Lever Crank Bushing | New and Old compatible | After 9611057 | 8 | |
| 50 | 11109480 | Connecting Plate | | | 4 | |
| 53-1 | N/A | Cam Plate shaft | Grease Hole 1/4 | Before 9611056 Compatible with 53-2 | 4 | N/A |
| 53-2 | 11109361 | Cam Plate shaft | Grease Hole M6 | After 9611057 | 4 | |
| 54 | N/A | Cam Plate R | | Replace with ML6 | 2 | N/A |
| 55 | 01496140 | Inner Fulcrum Base | | | 2 | |
| 56 | 80827041 | Grease Fitting | GNC1/8 | | 4 | |
| 57 | 01496340 | Link Fulcrum Pin | 30R-58 | | 4 | |
| 58 | 90890815 | Hex Bolt | HBS0815SE | | 8 | |
| 59 | 01496300 | Crank Pin Support Base | 30R-25 | | 4 | |
| 60 | 11110040 | Piston Rod Head Shaft | 28R-197 | | 2 | |
| 61 | 81772535 | Drymet LF Bushing | LFB2535 | | 4 | |
| 62 | N/A | MM Lever Crank | Driver Side | Replace with ML8 | 1 | N/A |
| 63 | N/A | MS Lever Crank | Follower Side | Replace with ML9 | 1 | N/A |
| 64 | 11109420 | Crank Fulcrum Shaft | 25R-390 | | 2 | |
| 65 | 11150600 | Key Plate A | | | 2 | |
| 66 | 90891230 | Hex Bolt | HBS1230SE | | 4 | |
| 67-1 | N/A | Anchor Bolt | ST16125 | Before 0301016 Compatible with 67-2 | 12 | N/A |
| 67-2 | 91011612 | Anchor Bolt | AAC-1612 | After 0301017 | 12 | |
| 68 | 01496120 | Base (Old type not available-New and Old compatible) | | After 9508003 | 2 | |
| 69 | 90964830 | Hex Socket Head Screw | HSS0830 | After 9611057 | 4 | |
| 70 | 90930308 | Hex Nut | HN08 (3) SE | After 9611057 | 4 | |
| 71 | 11109561 | Cam Roller Shaft | | | 4 | |

Cylinder and Safety Device

Model MUL30·MUL30E
Model MUL30H Alignment

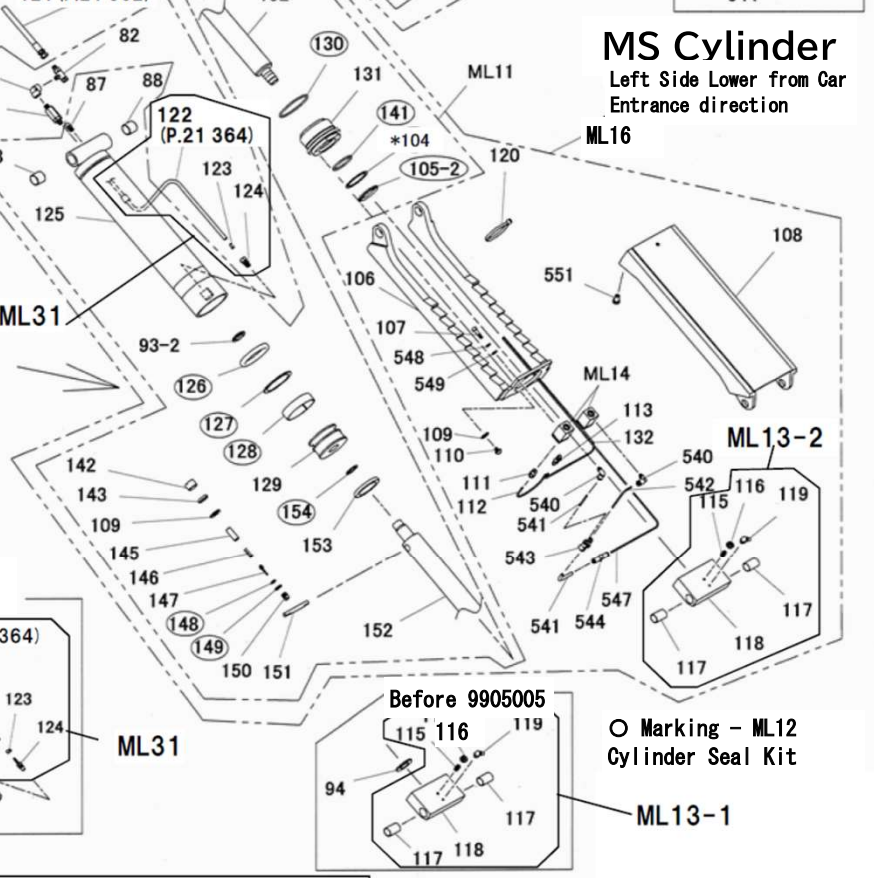
MM Cylinder

Right Side Lower from Car
Entrance direction



MS Cylinder

Left Side Lower from Car
Entrance direction



○ Marking - ML12
Cylinder Seal Kit

ML13-1

Special Nut Removing Tool is required to disassemble MM Piston (FUT#09)



Cylinder & Safety Device

MUL30·MUL30E·MUL30H Alignment

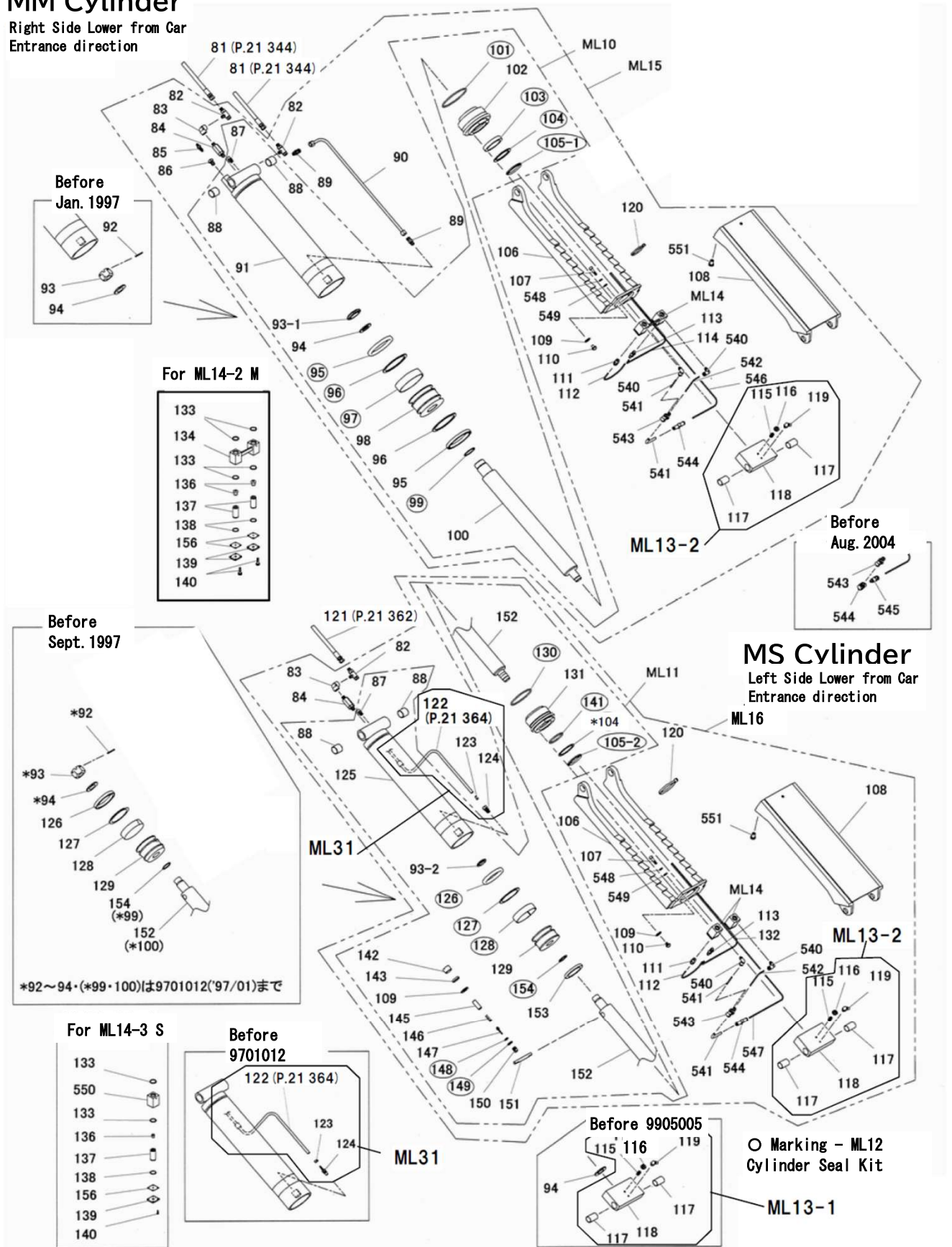
| Ill. No. | Parts No. | Parts Name | Standard | Change Date & Note | Qty/Unit | | Price/ea. |
|----------|-----------|--|---------------------------|------------------------|----------|--------|-----------|
| | | | | | M Side | S Side | |
| ML10 | 01496420 | MM Cylinder Assy | | | 1 | N/A | |
| ML11-1 | 01496540 | MS Cylinder Assy | | Before 9701012 | N/A | 1 | |
| ML11-2 | 01496541 | MS Cylinder Assy | | 9701013~0810015 | N/A | 1 | |
| ML11-3 | 01496542 | MS Cylinder Assy | | 0810016~Feb. 2010 | N/A | 1 | |
| ML11-4 | 01496543 | MS Cylinder Assy | | After Feb. 2010 | N/A | 1 | |
| ML12-1-1 | 75006200 | MM Cylinder Seal Kit 1 | ※①M Side | Before 9508002 | 1 | N/A | |
| ML12-2-1 | 75006210 | MS Cylinder Seal Kit 1 | ※①S Side | Before 9508002 | N/A | 1 | |
| ML12-1-2 | 75006220 | MM Cylinder Seal Kit 2 | ※②M Side | 9508003~9701012 | 1 | N/A | |
| ML12-2-2 | 75006230 | MS Cylinder Seal Kit 2 | ※②S Side | 9508003~9701012 | N/A | 1 | |
| ML12-1-3 | 75006240 | MM Cylinder Seal Kit 3 | ※③M Side | After 9701013 | 1 | N/A | |
| ML12-2-3 | 75006250 | MS Cylinder Seal Kit 3 | ※③S Side | After 9701013 | N/A | 1 | |
| ML13-1 | 75005860 | Piston Rod Head Assy | 115~119 | Before 9905005 | 1 | 1 | |
| ML13-2 | 75005861 | Piston Rod Head Assy | 115~119 | After 9905006 | 1 | 1 | |
| ML14-2 | 01496501 | MM Unlock Cylinder Assy | 2ea. are welded into 1ea. | | 1 | N/A | |
| ML14-3 | 01497260 | MS Unlock Cylinder Assy | | | N/A | 2 | |
| ML15-1 | 01496400 | MM Lowering Stop Assy | | Before 9701012 | 1 | | |
| ML15-2 | 01496401 | MM Lowering Stop Assy | | After 9701013 | 1 | N/A | |
| ML16-1 | 01496520 | MS Lowering Stop Assy | | Before 9701012 | N/A | 1 | |
| ML16-2 | 01496521 | MS Lowering Stop Assy | | 9701013~Aug. 1997 | N/A | 1 | |
| ML16-3 | 01496522 | MS Lowering Stop Assy | | Sept. 1997~0810015 | N/A | 1 | |
| ML16-4 | 01496523 | MS Lowering Stop Assy | | (0810016~) | N/A | 1 | |
| ML31 | 75005981 | Overflow Tube A Assy (122~124・375) (ML32 also need to be replaced for the unit produced before 0810015) | | New and Old compatible | N/A | 1 | |
| | | | | | N/A | | |
| 81 | 11112260 | MM Hyd. Hose | NH300-04-2200 | With 345X1ea. | 2 | N/A | |
| 82-1 | 80813325 | Swivel Elbow | LSW1002-04 | Before 1404035 | 2 | 1 | |
| 82-2 | 80813321 | Swivel Elbow | SKL-34-06S | After 1404036 | 2 | 1 | |
| 83 | 80810495 | Both sides Female Elbow | HS-LB-1/4 | | 1 | 1 | |
| 84 | 80818554 | Fuse Valve | FS-02-T-22-0 | | 1 | 1 | |
| 85-1 | 80818680 | Breather Valve | 41128-U0201 | Before Dec. 1998 | 1 | N/A | |
| 85-2 | 11116030 | Breather Valve | | After Jan. 1999 | 1 | N/A | |
| 86 | 11116020 | Air Bleeding Plug | | | 1 | N/A | |
| 87 | 80827006 | Grease Fitting | GNAM6X0.75 | | 1 | 1 | |
| 88 | 81773030 | Drymet LF Bushing | LFB-3030 | | 2 | 2 | |
| 89 | 80814910 | Connector | HS-S-10X1/4 | | 2 | N/A | |
| 90-1 | 75005880 | Hyd. Pipe Assy | With Sleeve & Nut | Before 9701012 | 1 | N/A | |
| 90-2 | 75005881 | Hyd. Pipe Assy | With Sleeve & Nut | After 9701013 | 1 | N/A | |
| 91 | N/A | MM Cylinder | | Replace with ML10 | 1 | N/A | N/A |
| 92-1 | 90980332 | Roll Pin | SRP0332 | Before 9508002 | 1 | 1 | |
| 92-2 | 90980440 | Roll Pin | SRP0440 | 9508003~9701012 | 1 | 1 | |
| 93-1 | 90932225 | Hex Nut | CN24P2.0SE | Before 9508002 | 1 | 1 | |
| 93-2 | 90932130 | Hex Nut | CN30P2.0SE | 9508003~9701012 | 1 | 1 | |
| 93-3 | 90931709 | Fine U Nut | FU09SC | After 9701013 | 1 | N/A | |
| 93-4 | 90931706 | Fine U Nut | FU06SC | After 9701013 | N/A | 1 | |
| 94-1 | 90930724 | Flat Washer | PW24SE | Before 9508002 | 1 | 1 | |
| 94-2 | 90930730 | Flat Washer | PW30SE | After 9508003 | 1 | N/A | |
| 95 | 80802820 | U Packing | GPY-120 | ※①②③ | 2 | N/A | |
| 96 | 80806820 | Back Up Ring | TC-GPY-120 | ※①②③ | 2 | N/A | |
| 97 | 80804120 | Wearing | SW-120 | ※①②③ | 1 | N/A | |
| 98-1 | 11110120 | MM Piston | | Before 9508002 | 1 | N/A | |
| 98-2 | 11110121 | MM Piston | | 9508003~9701012 | 1 | N/A | |
| 98-3 | 11110122 | MM Piston | | After 9701013 | 1 | N/A | |
| 99-1 | 80800030 | O Ring | P30 | Before 9508002 ※① | 1 | N/A | |
| 99-2 | 80800034 | O Ring | P35 | 9508003~9701012 ※② | 1 | N/A | |
| 99-3 | 80800543 | O Ring | P48-1B | After 9701013 ※③ | 1 | N/A | |
| 100-1 | 11110140 | M Piston Rod | | Before 9508002 | 1 | 1 | |
| 100-2 | 11110141 | M Piston Rod | | 9508003~9701012 | 1 | 1 | |
| 100 | 11110142 | MM Piston Rod | | After 9701013 | 1 | N/A | |
| 101-1 | 80800090 | O Ring | P115 | Before 9701012 ※①② | 1 | N/A | |
| 101-2 | 80800595 | O Ring | P115-1B | After 9701013 ※③ | 1 | N/A | |

Cylinder and Safety Device


Model MUL30·MUL30E
Model MUL30H Alignment

MM Cylinder

Right Side Lower from Car
Entrance direction



Special Nut Removing Tool is required to disassemble MM Piston (FUT#09)



Cylinder & Safety Device

MUL30・MUL30E・MUL30H Alignment

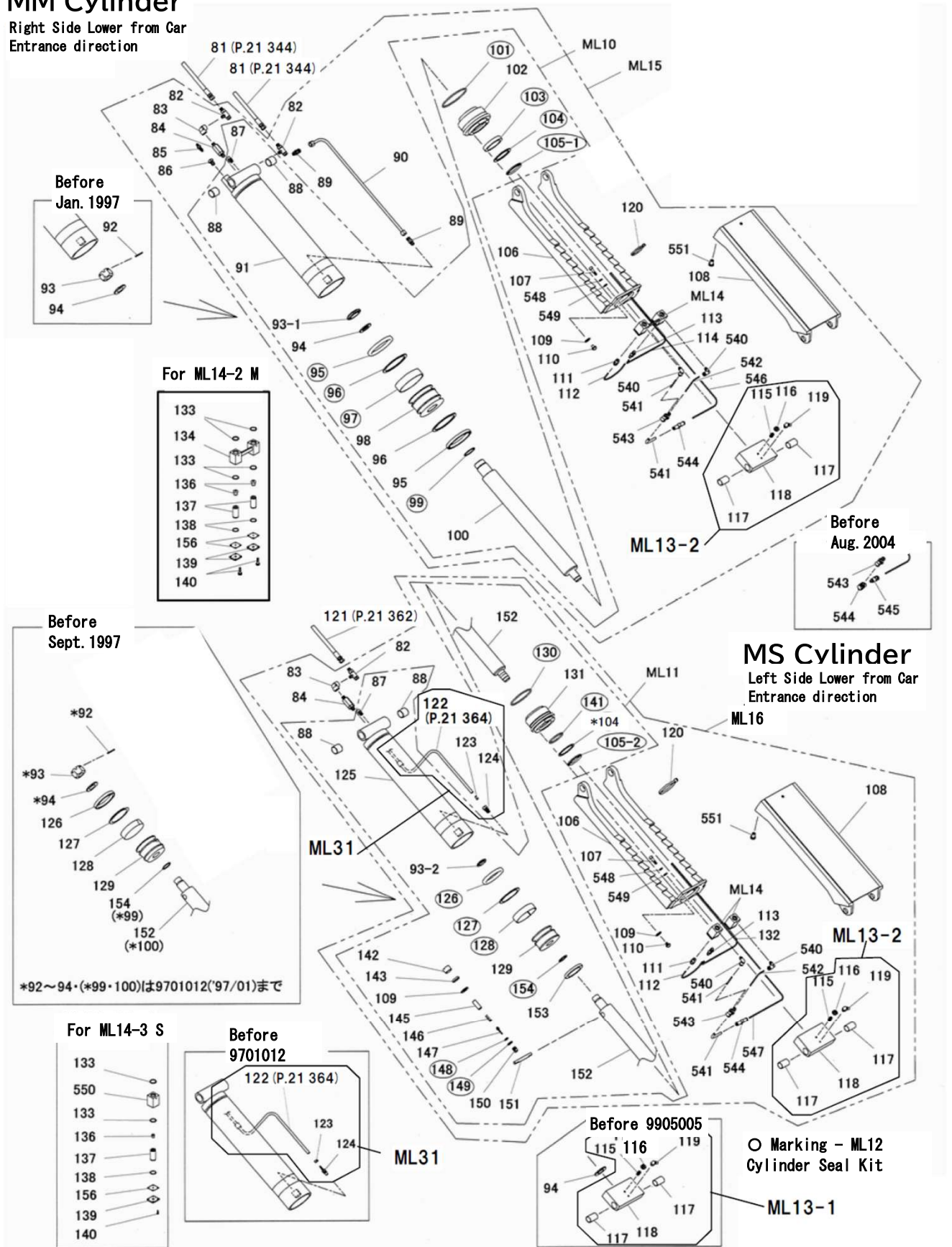
| Ill. No. | Parts No. | Parts Name | Standard | Change Date & Note | Qty/Unit | | Price/ea. |
|----------|-----------|---|-------------------------|--------------------|----------|--------|-----------|
| | | | | | M Side | S Side | |
| 102-1 | 11110160 | MM Cylinder Cover | | Before 9701012 | 1 | N/A | |
| 102-2 | 11110161 | MM Cylinder Cover | | After 9701013 | 1 | N/A | |
| 103-1 | 80802865 | U Packing | GNV-65 | Before 9701012 ※①② | 1 | N/A | |
| 103-2 | 80801567 | U Packing | KY-67 | After 9701013 ※③ | 1 | N/A | |
| 104-1 | 80806766 | Back Up Ring (TC-GNY-65) S Side was abolished after Feb. 1996 | | Before 9701012 ※①② | 1 | 1→0 | |
| 104-2 | 11110190 | Back Up Ring | | After 9701013 ※③ | 1 | N/A | |
| 105-1 | 80803065 | Dust Seal | SDR-65 | Before 9701012 ※①② | 1 | 1 | |
| 105-2 | 80803067 | Dust Seal | SDR-67 | After 9701013 ※③ | 1 | N/A | |
| 105-3 | 80803061 | Dust Seal | SDR-60 | After 9701013 ※③ | N/A | 1 | |
| 106-1 | 01496480 | Lowering Stop Rack | | Before Aug. 1997 | 1 | 1 | |
| 106-2 | 01496481 | Lowering Stop Rack | | After Sept. 1997 | 1 | 1 | |
| 107-2 | 90920416 | Hex Socket Head Cap Bolt | HSB0416 | | 2 | 4 | |
| 108 | 01496460 | Lowering Stop Hook | | | 1 | 1 | |
| 109 | 90930708 | Flat Washer (PW08E) Qty was changed after 9701013 | | | 1 | 1→2 | |
| 110 | 90780610 | Pan Head Screw | MSRPS0610SE | | 1 | 1 | |
| 111 | 80817202 | Half Union (ZH-041) | New and Old compatible | After Dec. 2007 | 1 | 1 | |
| 112 | 51110100 | Intermediate Tube | F1504-160 Black | | 1 | 1 | |
| 113 | 80817262 | Y Union (ZY-041N) | New and Old compatible | After Dec. 2007 | 1 | 1 | |
| 114 | 51110080 | MM Control Tube | F1504-2300 Black | | 1 | N/A | |
| 115-1 | 90960812 | Hex Socket Head Screw | HSS0812 $\frac{1}{2}$ ネ | Before 0005031 | 1 | 1 | |
| 115-2 | 90960815 | Hex Socket Head Screw | HSS0815 $\frac{1}{2}$ ネ | After 0005032 | 1 | 1 | |
| 116 | 90930308 | Hex Nut | HN08 (3) SE | | 1 | 1 | |
| 117-1 | 81772535 | Dryment LF Bushing | LFB2535 | Before 9905005 | 2 | 2 | |
| 117-2 | 11110210 | Bushing | | After 9905006 | 2 | 2 | |
| 118-1 | 11110180 | M Piston Rod Head | | Before 9905005 | 1 | 1 | |
| 118-2 | 11110181 | M Piston Rod Head | | After 9905006 | 1 | 1 | |
| 119 | 80827016 | Grease Fitting | GNBM6X0.75 | | 1 | 1 | |
| 120 | 80825291 | Vinyl Fastener | CV-150 | | 18 | 18 | |
| 121 | 11112340 | MS Hyd. Hose | NH300-04-L3900 | With 345X1ea. | N/A | 1 | |
| 122-1 | 51110540 | Overflow Tube A | 11X6-4400 | Before 9701012 | N/A | 1 | |
| 122-2 | N/A | Overflow Tube A(F1510-4400 Blue) | Replace with ML31 | After 9701013 | N/A | 1 | N/A |
| 123-1 | 80825050 | Hose Band | 8R-12R/8 | 9701013~0810015 | N/A | 1 | |
| 123-2 | 80817617 | Insert Ring | INS-U10 | After 9701013 | N/A | 1 | |
| 123-3 | 80817660 | Insert Ring | INS-A10 | After 0810016 | N/A | 1 | |
| 124-1 | 80812527 | Air Hose Joint | AHJ-PT1/4X7R | Before 9701012 | N/A | 1 | |
| 124-2 | 80817302 | Half Union | MH-1102 | After 9701013 | N/A | 1 | |
| 125-1 | N/A | MS Cylinder | Replace with ML11-1 | Before 9701012 | N/A | 1 | N/A |
| 125-2 | N/A | MS Cylinder | Replace with ML11-2~4 | After 9701013 | N/A | 1 | N/A |
| 126 | 80802800 | U Packing | GPY-100 | ※①②③ | N/A | 1 | |
| 127 | 80806800 | Back Up Ring | TC-GPY-100 | ※①②③ | N/A | 1 | |
| 128 | 51329690 | Wearing Old and New compatible ※①②③ | | After 98/05 | N/A | 1 | |
| 129-1 | 11110560 | MS Piston | | Before 9508002 | N/A | 1 | |
| 129-2 | 11110561 | MS Piston | | 9508003~9701012 | N/A | 1 | |
| 129-3 | 11116521 | MS Piston | | After 9701013 | N/A | 1 | |
| 130 | 80800077 | O Ring | P-95 | ※①②③ | N/A | 1 | |
| 131-1 | 11110580 | MS Cylinder Cover | | Before 9701012 | N/A | 1 | |
| 131-2 | 11110581 | MS Cylinder Cover | | After 9701013 | N/A | 1 | |
| 132-1 | 51110520 | MS Control Tube | F1504-4400 Black | Before Aug. 1997 | N/A | 1 | |
| 132-2 | 51110521 | MS Control Tube | F1504-4400 Yellow | After Sept. 1997 | N/A | 1 | |
| 133 | 80802100 | Mini Y Packing | MYA-22 | | 4 | 4 | |
| 134-2 | N/A | MM Unlock Cylinder | Replace with ML14-2 | | 1 | N/A | N/A |
| 136-2 | 51110501 | Unlock Piston Rod | | | 2 | 2 | |
| 137-2 | 11110481 | Unlock Piston | | | 2 | 2 | |
| 138 | 80848480 | Snap Ring | WR22 | | 2 | 2 | |
| 139 | 11110460 | Unlock Cylinder Base Plate | | | 2 | 2 | |

Cylinder and Safety Device

Model MUL30·MUL30E
Model MUL30H Alignment

MM Cylinder

Right Side Lower from Car
Entrance direction



Special Nut Removing Tool is required to disassemble MM Piston (FUT#09)



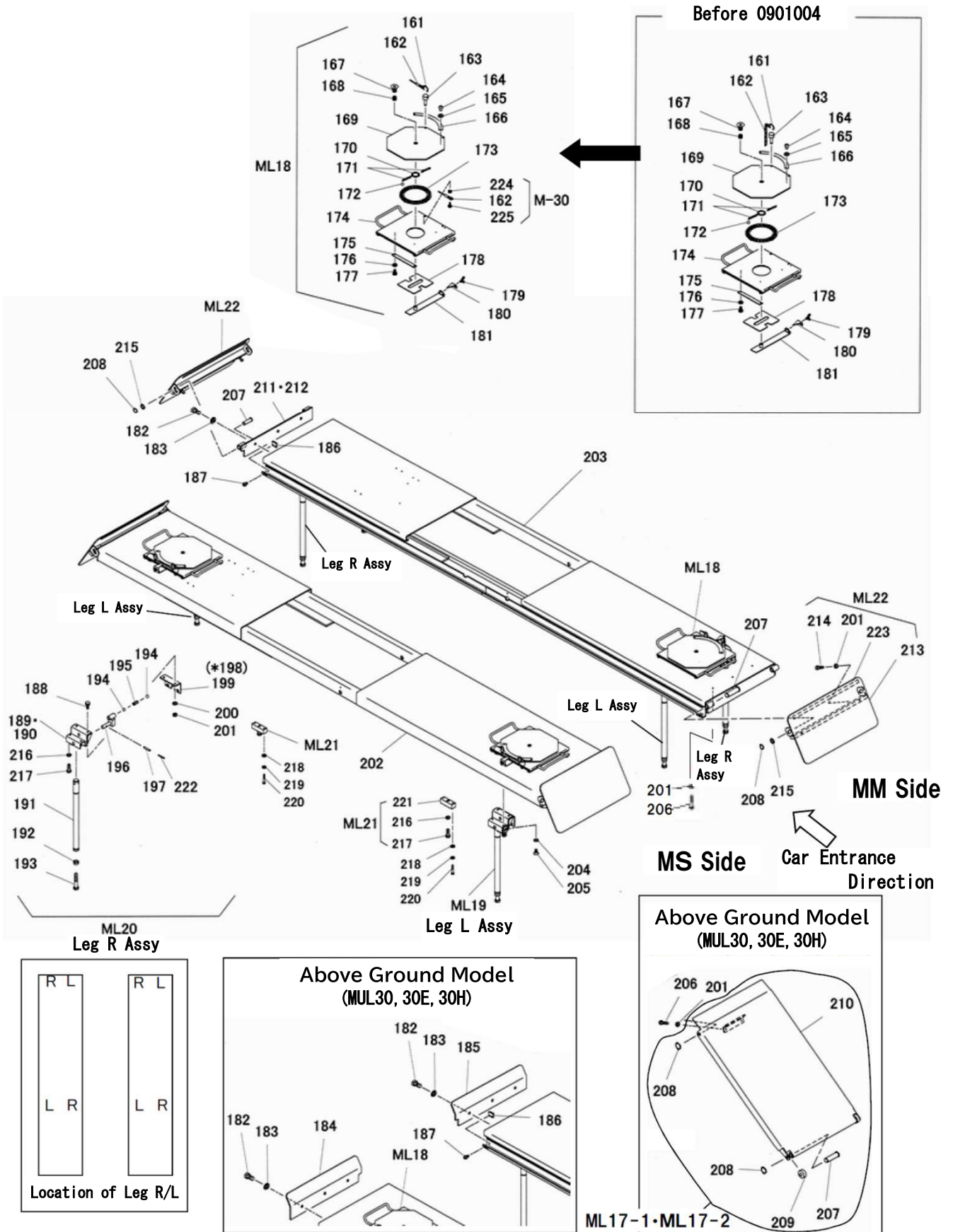
Cylinder & Safety Device

MUL30·MUL30E·MUL30H Alignment

| Ill. No. | Parts No. | Parts Name | Standard | Change Date & Note | Qty/Unit | | Price/ea. |
|----------|-----------|-------------------------------------|---------------------------------|----------------------|----------|--------|-----------|
| | | | | | M Side | S Side | |
| 140 | 90800415 | Pan Head Screw | MSRS0415SE | | 8 | 8 | |
| 141-1 | 80802865 | U Packing | GNV-65 | Before Aug. 1995 ※① | N/A | 1 | |
| 141-2 | 80800053 | O Ring | P65 | Sep. 1995~9701012 ※② | N/A | 1 | |
| 141-3 | 80800051 | O Ring | P60 | After 9701013 ※③ | N/A | 1 | |
| 142 | 11331410 | Oil Stopper G Support Plug | | After 9701013 | N/A | 1 | |
| 143 | 11331370 | Filter | Old and New compatible | After Apr. 1999 | N/A | 1 | |
| 145 | 11119740 | S Piston Oil Stopper G Holder | | After 9701013 | N/A | 1 | |
| 146 | 50620490 | S Limit Spring | | After 9701013 | N/A | 1 | |
| 147 | 10226462 | Oil Stopper | | After 9701013 | N/A | 1 | |
| 148 | 80800220 | O Ring | AN6227-1 | After 9701013 ※③ | N/A | 1 | |
| 149 | 80800512 | O Ring | P12-1B | After 9701013 ※③ | N/A | 1 | |
| 150 | 10221570 | Oil Stopper Guide | | After 9701013 | N/A | 1 | |
| 151 | 11119720 | S Piston Stopper | | After 9701013 | N/A | 1 | |
| 152 | 11110060 | MS Piston Rod | | After 9701013 | N/A | 1 | |
| 153 | 11119700 | MS Cylinder Spacer S | | After 9701013 | N/A | 2 | |
| 154 | 80800535 | O Ring | P35-1B | After 9701013 ※③ | N/A | 1 | |
| 156 | 11110500 | Unlock Packing | | After 9701013 | 2 | 2 | |
| 540 | 80817221 | Elbow Union (ZL-045M) | Old and New compatible | After Dec. 2007 | 2 | 2 | |
| 541 | 51110340 | Intermediate Tube B(F1504-60 Black) | Qty was changed after Jul. 2004 | | 1→2 | 1 | |
| 542 | 51110320 | Intermediate Tube A | F1504-130 Black | | 1 | 1 | |
| 543-1 | 80817093 | Y Union with PT | SLY-045MNV | Before Jul. 2004 | 1 | 1 | |
| 543-2 | 80817451 | Y union | ZY-0404 | After Aug. 2004 | 1 | 1 | |
| 544-1 | 80821079 | Quick Exhaust Valve | SQE | Before Jul. 2004 | 1 | 1 | |
| 544-2 | 80821123 | Quick Exhaust Valve | AQ240F-04-00 | After 0408001 | 1 | 1 | |
| 545 | 80817013 | Half Union (SLH-045MV) | Abolished after Jul. 2004 | | 1 | 1 | |
| 546 | 51110300 | MM Control Tube A | F1504-2500 Yellow | | 1 | N/A | |
| 547 | 51110560 | Ms Control Tube A | F1504-3100 Black | | N/A | 1 | |
| 548 | 90930504 | Spring Washer | SW04SE | | 2 | 4 | |
| 549 | 90930704 | Flat Washer | PW04SE | | 2 | 4 | |
| 550 | N/A | MS Unlock Cylinder | | Replace with ML14-3 | N/A | 2 | N/A |
| 551 | 90926330 | Well Nut | C-330L | After 0302032 | 2 | 2 | |
| Tool | 75106500 | U Nut Removing Tool | FUT#09 | for Removing Piston | 1 | N/A | |

Drive-On Plate

Model MUL30·MUL30E
Model MUL30H Alignment



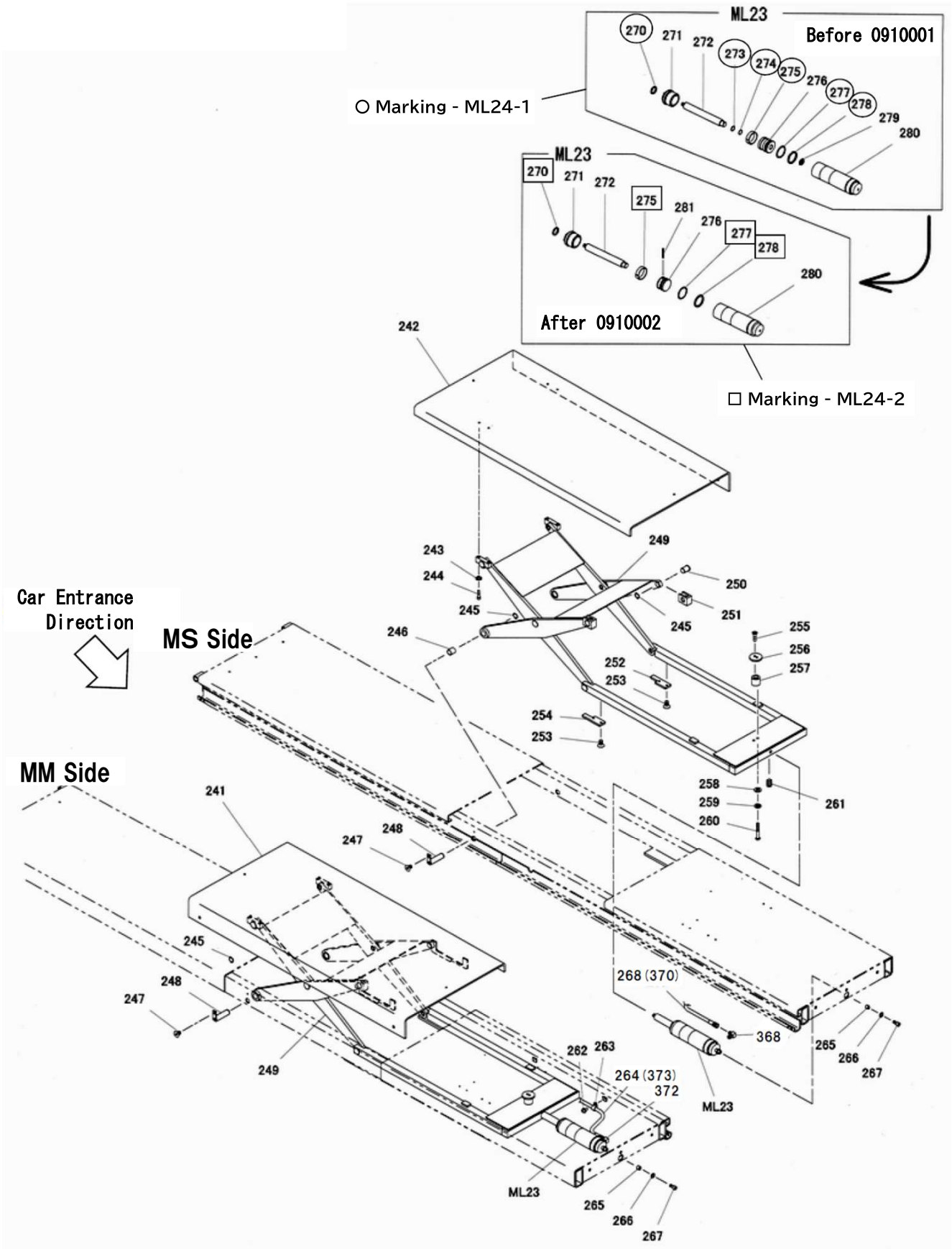
Drive-On Plate

MUL30·MUL30E·MUL30H Alignment

| Ill.No. | Parts No. | Parts Name | Standard | Change Date & Note | Qty/Unit | | Price/ea. |
|---------|-----------|----------------------------|-----------------|--------------------|----------|-----|-----------|
| | | | | | 30·30E | 30H | |
| ML17-1 | 01496640 | Drive-On Ramp Assy | 207·208·209·210 | Before 9903020 | 2 | N/A | |
| ML17-2 | 01496641 | Drive-On Ramp Assy | 207·208·209·210 | After 9903021 | 2 | N/A | |
| ML18 | 01498360 | Turning Radious Gauge Assy | 161~181·224·225 | | N/A | 4 | |
| ML19-1 | 01498220 | Leg L Assy | | (Above Ground) | N/A | 4 | |
| ML20-1 | 01498320 | Leg R Assy | | (Above Ground) | N/A | 4 | |
| M-30 | 00289980 | Pin Hold Wire Assy | 162·224·225 | After 0901005 | N/A | 8 | |
| | | | | | | | |
| 161 | 50506841 | Chain Hook B | | | N/A | 8 | |
| 162-1 | 50807040 | Pin Hold Chain | | Before 0901004 | N/A | 8 | |
| 162-2 | 11035580 | Pin Hold Wire | | After 0901005 | N/A | 8 | |
| 163 | 11452200 | Pin Hold | | | N/A | 8 | |
| 164 | 90940406 | Pan Head Screw | MSR0406SE | | N/A | 8 | |
| 165 | 90930704 | Flat Washer | PW04SE | | N/A | 8 | |
| 166 | 50808120 | Scale Plate | | | N/A | 4 | |
| 167 | 91001220 | Hex Socket Head Bolt | HSF1220 | | N/A | 4 | |
| 168 | 90961212 | Hex Socket Head Screw | HSS1212 | | N/A | 4 | |
| 169 | 11469200 | Turn Plate | | | N/A | 4 | |
| 170 | 90931022 | Washer | TLW122SE | | N/A | 4 | |
| 171 | 50807060 | Spring B | | | N/A | 16 | |
| 172 | 80843042 | Delrin Ball | 1/2 | 28ea. ×4 | N/A | 112 | |
| 173-1 | 11469220 | Bearing Lace B | | Before Jul. 1999 | N/A | 4 | |
| 173-2 | 11469221 | Bearing Lace B | | After Aug. 1999 | N/A | 4 | |
| 174 | 01498380 | Turn Plate | | | N/A | 4 | |
| 175 | 11469210 | Slide Guide | | | N/A | 8 | |
| 176 | 90930506 | Spring Washer | SW06SE | | N/A | 16 | |
| 177 | 90910610 | Hex Bolt | HB0610SE | | N/A | 16 | |
| 178 | 00302761 | Slide | | | N/A | 4 | |
| 179 | 90840610 | Eye Bolt | CHB0610SE | | N/A | 4 | |
| 180 | 11471420 | Pointer | | | N/A | 4 | |
| 181 | 00307320 | Pointer Base | | | N/A | 4 | |
| 182 | 90911630 | Hex Bolt | HB1630SE | | 12 | N/A | |
| 183 | 90930516 | Spring Washer | SW16SE | | 12 | N/A | |
| 184-1 | 11110660 | Wheel Stop L | | Before 9903020 | 1 | N/A | |
| 184-2 | 11110661 | Wheel Stop L | | After 9903021 | 1 | N/A | |
| 185-1 | 11110640 | Wheel Stop R | | Before 9903020 | 1 | N/A | |
| 185-2 | 11110641 | Wheel Stop R | | After 9903021 | 1 | N/A | |
| 186 | 11116660 | Jacking Beam Stopper | | | 4 | N/A | |
| 187 | 90760815 | Hex Socket Head Cap Bolt | HSBS0815 | | 8 | N/A | |
| 188 | 90891025 | Hex Bolt | HBS1025SE | | N/A | 16 | |
| 189-1 | 01498340 | Leg Support D | ※ Leg R Assy | Before 0103005 | N/A | 4 | |
| 189-2 | 01498341 | Leg Support D | ※ Leg R Assy | After 0103006 | N/A | 4 | |
| 190-1 | 01498240 | Leg Support B | ※ Leg L Assy | Before 0103005 | N/A | 4 | |
| 190-2 | 01498241 | Leg Support B | ※ Leg L Assy | After 0103006 | N/A | 4 | |
| 191-1 | 01498280 | Leg Pipe | | (Above Ground) | N/A | 8 | |
| 192 | 90930120 | Hex Nut | HN20SE | | N/A | 8 | |
| 193 | 01498300 | Leg Bolt Assy | L=125 | | N/A | 8 | |
| 194 | 80843023 | Steel Ball | 3/4 | | N/A | 16 | |
| 195 | 51113240 | Lock Spring | | | N/A | 8 | |
| 196 | 01498260 | Leg Support Pin | | | N/A | 8 | |
| 197 | 90980636 | Roll Pin | SRP0636 | | N/A | 8 | |
| 198 | 11113460 | Leg Support C | Leg R Side | Before Mar. 1998 | N/A | 4 | |
| 199-1 | 11113220 | Leg Support A | Leg R Side | After Apr. 1998 | N/A | 4 | |
| 199-2 | 11113220 | Leg Support A | Leg L Side | After Apr. 1998 | N/A | 4 | |
| 200 | 90930710 | Flat Washer | PW10SE | | N/A | 16 | |
| 201 | 90930110 | Hex Nut | HN10SE | | 10 | 26 | |
| 202 | N/A | Drive-On Plate L | | | 1 | 1 | N/A |
| 203 | N/A | Drive-On Plate L | | | 1 | 1 | N/A |
| 204 | 90930958 | Washer | TLWF08SE | | N/A | 16 | |
| 205 | 91000815 | Hex Socket Head Bolt | HSF0815 | | N/A | 16 | |
| 206 | 90911040 | Hex Bolt | HB1040SE | | 10 | 10 | |
| 207 | 11468300 | Drive In Shaft | | | 8 | 8 | |
| 208 | 80845011 | Snap Ring | RR020 | | 16 | 16 | |
| 209-1 | 50807000 | Drive In Roller | 40φ | Before Dec. 1997 | 4 | 4 | |
| 209-2 | 11462700 | Drive In Roller | 55φ | After Jan. 1998 | 4 | 4 | |
| 210-1 | 01496660 | Drive In Ramp | | Before 9903020 | 2 | 2 | |
| 210-2 | 01496661 | Drive In Ramp | | After 9903021 | 2 | 2 | |
| 222 | 90980437 | Roll Pin | SRP0436 | After 0103006 | N/A | 8 | |
| 224 | 90930104 | Hex Nut | HNO4SE | After 0901005 | N/A | 8 | |
| 225 | 90780412 | Pan Head Screw | MSRPS0412SE | After 0901005 | N/A | 8 | |

Upper Lift

Model MUL30·MUL30E
Model MUL30H Alignment



Upper Lift

MUL30·MUL30E·MUL30H Alignment

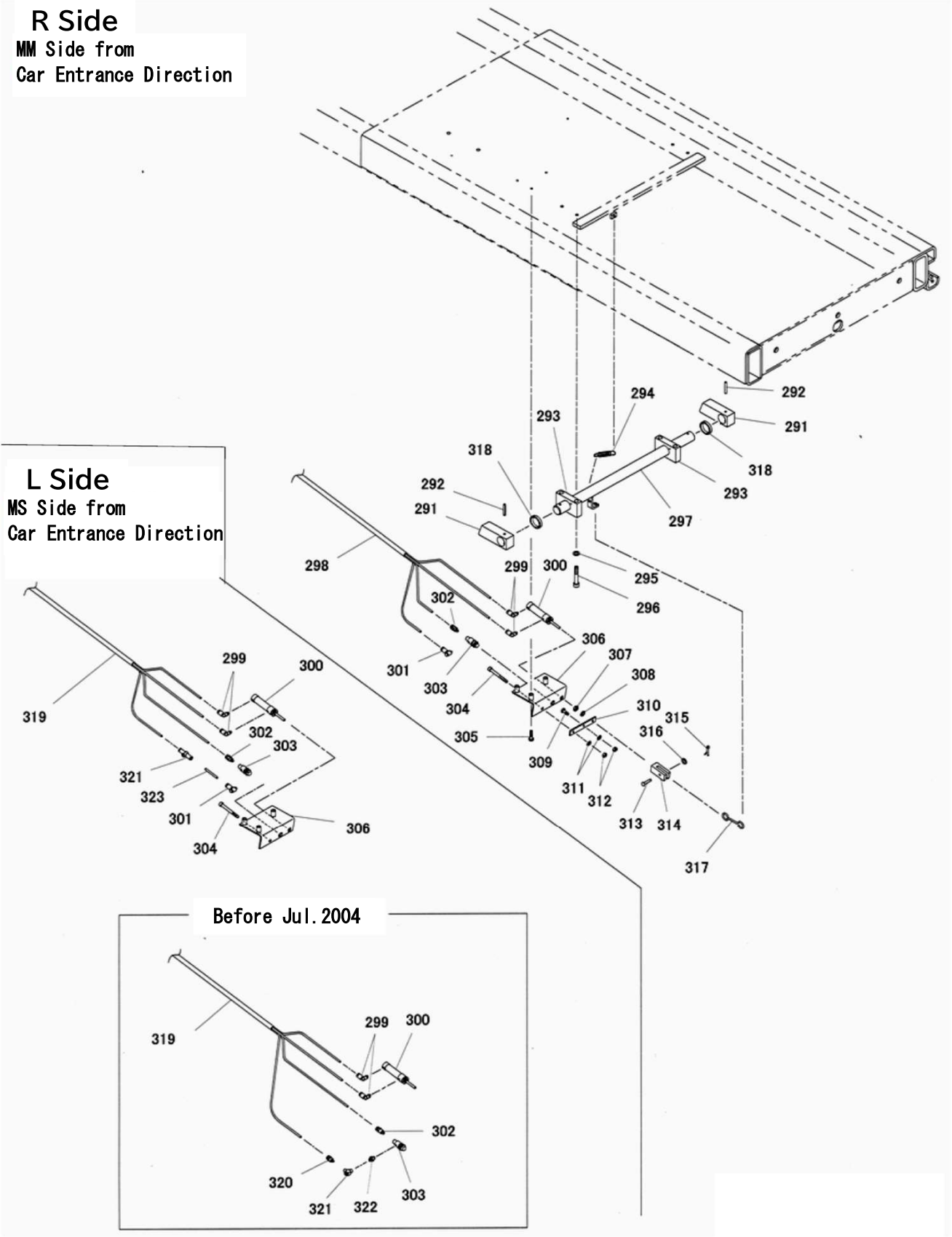
| Ill. No. | Parts No. | Parts Name | Standard | Change Date & Note | Qty/Unit | Price/ea. |
|----------|-----------|--------------------------------|------------------------|---------------------|----------|-----------|
| ML23-1 | N/A | S Cylinder Assy (270~280) | Compatible with ML23-3 | Before 9606027 | 2 | N/A |
| ML23-2 | N/A | S Cylinder Assy (270~280) | Compatible with ML23-3 | 9606028~0910001 | 2 | N/A |
| ML23-3 | 01496780 | S Cylinder Assy | 270~280 | After 0910002 | 2 | |
| ML24-1 | 75005900 | S Cylinder Seal Kit | 270·273~275·277·278 | Before 0910001 | 2 | |
| ML24-2 | 75005901 | S Cylinder Seal Kit | 270·275·277·278 | After 0910002 | 2 | |
| 241 | N/A | Supporter R | | | 1 | N/A |
| 242 | N/A | Supporter L | | | 1 | N/A |
| 243 | 90930510 | Spring Washer | SW10SE | | 8 | |
| 244 | 90921040 | Hex Socket Head Cap Bolt | HSB1040 | | 8 | |
| 245 | 80845015 | Snap Ring | RR025 | | 8 | |
| 246 | 81772530 | Drymet LF Bushing | LFB-2530 | | 4 | |
| 247 | 91000812 | Hex Socket Head Bolt | HSF0812 | | 4 | |
| 248 | 01496760 | Outer Fulcrum Shaft | | | 4 | |
| 249 | N/A | S Link | | | 2 | N/A |
| 250 | 11111280 | Outer Shoe Shaft | | | 4 | |
| 251 | 51111200 | Outer Shoe | | | 4 | |
| 252 | 51111240 | Slide Shoe L | | | 4 | |
| 253 | 91000815 | Hex Socket Head Bolt | HSF0815 | | 16 | |
| 254 | 51111220 | Slide Shoe R | | | 4 | |
| 255 | 90950520 | Screw | MSF0520SE | | 4 | |
| 256 | 11115220 | Side Shoe | | | 2 | |
| 257 | 11111260 | Slide Shoe fixing Seat | | | 2 | |
| 258 | 90930708 | Flat Washwer | PW08SE | | 4 | |
| 259 | 90930508 | Spring Washer | SW08SE | | 4 | |
| 260 | 90910860 | Hex Bolt | HB0860SE | | 4 | |
| 261 | 90960812 | Hex Socket Head Screw | HSS0812 | | 2 | |
| 262 | 90780512 | Screw | MSRPS0512SE | | 6 | |
| 263 | 80825557 | Nylon Clamp | 3327 | | 6 | |
| 264-1 | 11112280 | S Hyd. Hose A (NH300-04-L4900) | With 372X2ea. | Before Dec. 2011 | 1 | |
| 264-2 | 11112281 | S Hyd. Hose A (NH300-04-L4900) | With 345 · 372 | After Jan. 2012 | 1 | |
| 265-1 | 11318720 | Wiring Pipe | | Before 9606027 | 2 | |
| 265-2 | 10604000 | Collar | | After 9606028 | 2 | |
| 266-1 | 90930512 | Spring Washer | SW12SE | Before Jul. 1996 | 2 | |
| 266-2 | 90930712 | Flat Washwer | PW12SE | After Aug. 1996 | 2 | |
| 267-1 | 90921230 | Hex Socket Head Cap Bolt | HSB1230 | Before 9606027 | 2 | |
| 267-2 | 90921225 | Hex Socket Head Cap Bolt | HSB1225 | After 9606028 | 2 | |
| 268-1 | 11112360 | S Hyd. Hose B (NH300-04-L5700) | With 372X2ea. | Before Aug. 1995 | 1 | |
| 268-2 | 11112361 | S Hyd. Hose B (NH300-04-L5700) | With 368X2ea. | Sep. 1995~Dec. 2011 | 1 | |
| 268-3 | 11112362 | S Hyd. Hose B (NH300-04-L5700) | With 368 · 378 | After Jan. 2012 | 1 | |
| 270 | 80807032 | Scraper | SDR-32 | | 2 | |
| 271 | 10215083 | Cylinder Cover | | | 2 | |
| 272-1 | 11111560 | Piston Rod | | Before 0910001 | 2 | |
| 272-2 | 11111561 | Piston Rod | | After 0910002 | 2 | |
| 273 | 80806022 | Back Up Ring | P22-B | Before 0910001 | 2 | |
| 274 | 80800020 | O Ring | P22 | Before 0910001 | 2 | |
| 275 | 51111260 | Wearing | | | 2 | |
| 276-1 | 11111580 | Piston | | Before 0910001 | 2 | |
| 276-2 | 11111581 | Piston | | After 0910002 | 2 | |
| 277 | 80806763 | Back Up Ring | TC-GPY-63 | | 2 | |
| 278 | 80802763 | U Packing | GPY-63 | | 2 | |
| 279 | 90931604 | Fine U Nut | FU04SC | Before 0910001 | 2 | |
| 280-1 | N/A | Cylinder | Replace with ML23-3 | After 9606027 | 2 | N/A |
| 280-2 | N/A | Cylinder | Replace with ML23-3 | 9606028~0910001 | 2 | N/A |
| 280-3 | N/A | Cylinder | Replace with ML23-3 | After 0910002 | 2 | N/A |
| 281 | 90980656 | Roll Pin | SRP0655 | After 0910002 | 2 | |
| 368 | 80812975 | Adaptor (NO14) | G3/8XR3/8 | | 1 | |
| 372 | 80812974 | Adaptor (NO14) | G1/4XR3/8 | | 1 | |

Upper Lift Safety Device

Model MUL30
Model MUL30H Alignment

R Side
MM Side from
Car Entrance Direction

L Side
MS Side from
Car Entrance Direction



Upper Lift Safety Device

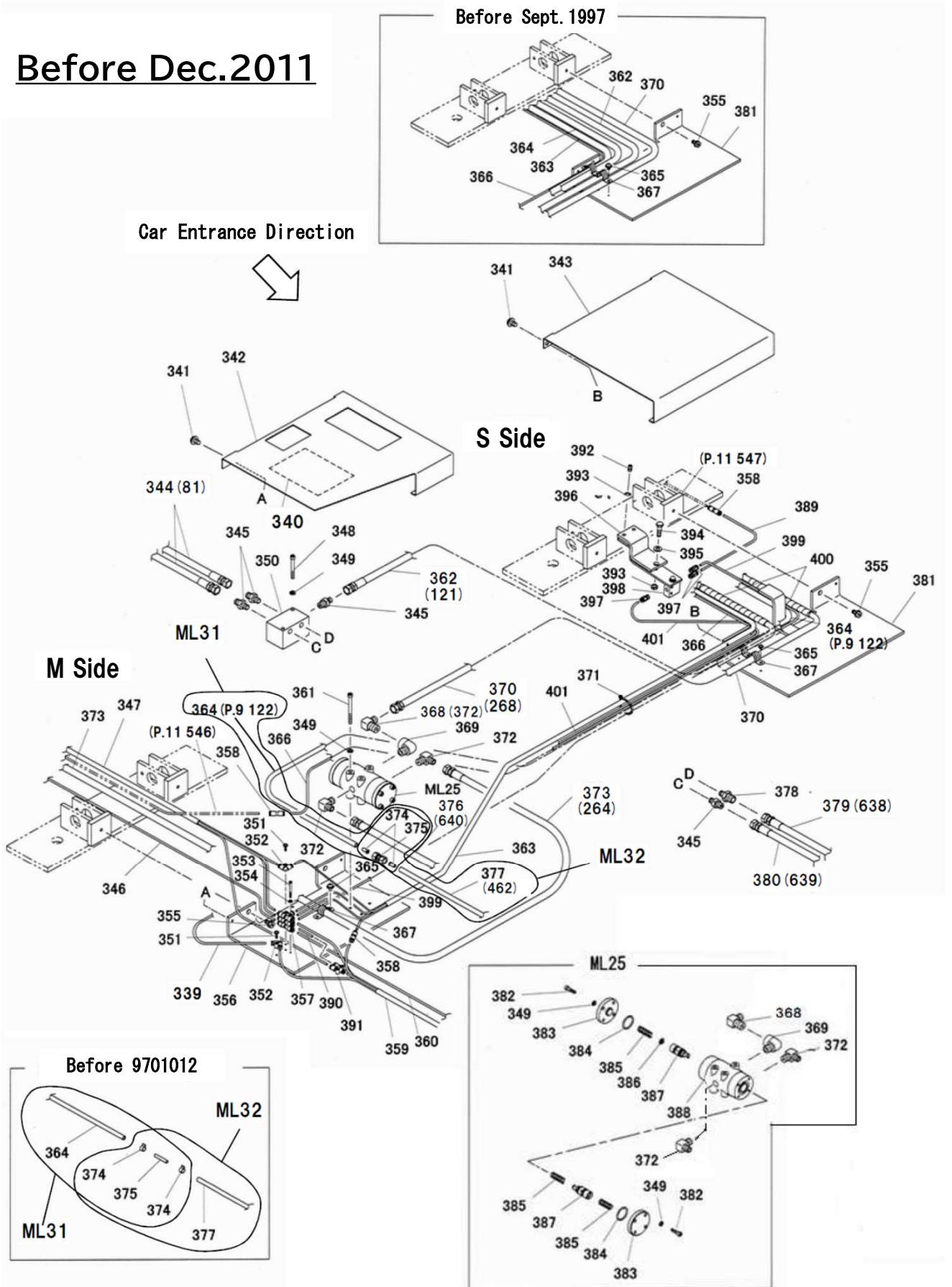
MUL30·MUL30H Alignment

| Ill. No. | Parts No. | Parts Name | Standard | Change Date & Note | Qty/Unit t30· 30H | Price/ea. |
|----------|-----------|-----------------------------|---|--------------------|-------------------------|-----------|
| 291 | 11330340 | Lowering Stop Hook | | | 4 | |
| 292 | 90980532 | Roll Pin | SRP0532 | | 4 | |
| 293 | 11111640 | Hook Shaft Support | | | 4 | |
| 294 | 50612611 | Safety Spring | | | 2 | |
| 295 | 90930508 | Spring Washer | SW08SE | | 8 | |
| 296 | 90920850 | Hex Socket Head Cap Bolt | HSB0850 | | 8 | |
| 297 | 01496860 | Lowering Stop Shaft | | | 2 | |
| 298 | 51112380 | S Control Tube A | PX0404-4400 | | 1 | |
| 299 | 80817221 | Elbow Union | ZL-045M | | 4 | |
| 300 | 80821119 | Air Cylinder | CJ2B16-20Z | | 2 | |
| 301 | 80817241 | Turn Elbow Union (ZL-045MR) | Qty was changed after 0408001 New and Old compatible | | 1→2 | |
| 302-1 | 80817360 | Female Union | SLP-041V | Before Jun. 1999 | 2 | |
| 302-2 | 80817201 | Half Union | ZH-045M | After Jul. 1999 | 2 | |
| 303 | 80821073 | Tac Valve | 3P | | 2 | |
| 304-1 | 11450140 | Rotation Stop Bar | | Before 9508002 | 2 | |
| 304-2 | 90920655 | Hex Socket Head Bolt | HSB0655 | After 9508003 | 2 | |
| 305 | 90800625 | Screw | MSRS0625SE | | 6 | |
| 306 | 01497200 | Air Cylinder Bracket | | | 2 | |
| 307 | 90930305 | Hex Nut | HN05 (3) SE | | 2 | |
| 308 | 90930505 | Spring Washer | SW05SE | | 2 | |
| 309 | 90910615 | Hex Bolt | HB0615SE | | 2 | |
| 310 | 11115900 | Tac Switch bar | | | 2 | |
| 311 | 90930506 | Spring Washer | SW06SE | | 4 | |
| 312 | 90930106 | Hex Nut | HN06SE | | 4 | |
| 313 | 10236232 | Solenoid Pin | | | 2 | |
| 314 | 11450121 | Knuckle | | | 2 | |
| 315 | 90972516 | Cotter Pin | SP02.515SE | | 2 | |
| 316 | 90930705 | Flat Washer | PW05SE | | 2 | |
| 317 | 51326460 | Solenoid Hook | | | 2 | |
| 318 | 10161831 | Control Shaft Collar | | | 4 | |
| 319 | 51112401 | S Control Tube B | PX0404-5200 | | 1 | |
| 320 | 80817010 | Half Union | CH-045M | Before Jul. 2004 | 1 | |
| 321-1 | 80821079 | Quick Exhaust Valve | SQE | Before Jul. 2004 | 1 | |
| 321-2 | 80821123 | Quick Exhaust Valve | AQ240F-04-00 | After 0408001 | 1 | |
| 322 | 80811020 | Nipple | NF | Before Jul. 2004 | 1 | |
| 323 | 51110920 | Intermediate Tube C | F1504-40 Black | After 0408001 | 1 | |
| | | | | | | |

Piping

Model MUL30·MUL30E
Model MUL30H Alignment

Before Dec.2011



Piping (Before Dec.2011)

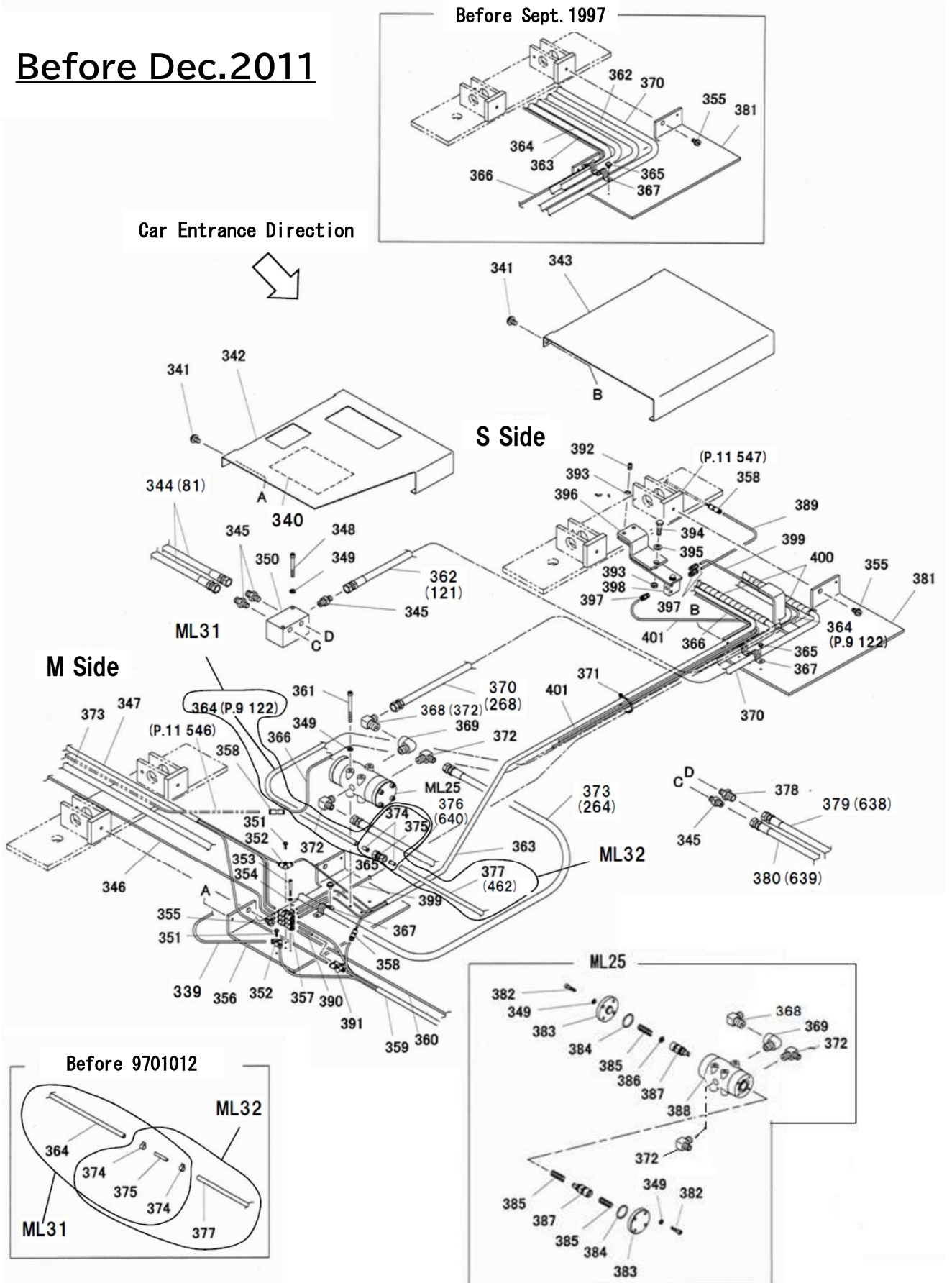
MUL30·MUL30E·MUL30H Alignment

| Ill.No. | Parts No. | Parts Name | Standard | Change Date & Note | Qty/Unit | | Price/ea. |
|---------|-------------|---------------------------------------|---|-----------------------|----------|-----|-----------|
| | | | | | 30-30H | 30E | |
| ML25 | 75005540 | Flow Dividing Valve Assy | 349·368·369·372×2·382~388 | | 1 | N/A | |
| ML31 | 75005981 | Overflow Tube A Assy(124·364·374·375) | New and Old compatible. For the units before 0810015. | Replace with ML31, 32 | 1 | 1 | |
| ML32 | 75006141 | Overflow Tube B Assy(374·375·377·465) | | | 1 | 1 | |
| 339-1 | 51112320 | Intermediate Tube E | F1504-2200 Red | | 1 | N/A | |
| 339-2 | 51113140 | Intermediate Tube F | F1504-2200 White | | N/A | 1 | |
| 340 | See Page 48 | Base Air Piping Label | | | 1 | N/A | |
| 341 | 90750610 | Screw | MSRP0610SE | | 4 | 4 | |
| 342-1-1 | N/A | M Base Manifold Cover | | Replace with 342-1-2 | 1 | N/A | |
| 342-1-2 | 11112181 | M Base Manifold Cover | | After 0307024 | 1 | N/A | |
| 342-2-1 | N/A | M Base Manifold Cover | | Replace with 342-2-2 | N/A | 1 | |
| 342-2-2 | 11112841 | M Base Manifold Cover | | After 0307024 | N/A | 1 | |
| 343-1 | N/A | S Base Piping Cover | | Replace with 343-2 | 1 | 1 | |
| 343-2 | 11112221 | S Base Piping Cover | | After 0307024 | 1 | 1 | |
| 344 | 11112260 | MM Hyd. Hose | NH300-04-L2200 | With 345X1ea. | 2 | 2 | |
| 345 | 80812950 | Adaptor (N010(G1/4XR1/4)) | Qty was changed after | 9510012 | 5→4 | | |
| 346 | 51110080 | MM Control Tube | F1504-2300 Black | | 1 | 1 | |
| 347 | 51112380 | S Control Tube A | PX0404-4400 | | 1 | N/A | |
| 348 | 90920655 | Hex Socket Head Cap Bolt | HSB0655 | | 2 | 2 | |
| 349 | 90930506 | Spring Washer | SW06SE | | 13 | 13 | |
| 350 | 11112140 | Base Manifold | | | 1 | 1 | |
| 351 | 90750415 | Screw | MSRP0415SE | | 2 | N/A | |
| 352 | 80817441 | Both Sides Open Elbow Union | ZF-040 | | 2 | N/A | |
| 353-1 | 90940440 | Screw | MSR0440SE | | 2 | N/A | |
| 353-2 | 90750416 | Screw | MSRP0416SE | | N/A | 2 | |
| 354 | 90930704 | Flat Washer | PW04SE | | 2 | | |
| 355 | 90770815 | Hex Bolt | HBS0815SE | | 4 | 4 | |
| 356-1 | 11112160 | M Base Manifold Bracket | | | 1 | N/A | |
| 356-2-1 | 11112820 | M Base Manifold Bracket | | Before 0803006 | N/A | 1 | |
| 356-2-2 | 11112821 | M Base Manifold Bracket | | After 0803007 | N/A | 1 | |
| 357 | 80817461 | T Union | ZT-040 | | 3 | 1 | |
| 358-1 | 80817471 | Straight Union | ZS-040 | Before 9709052 | 1 | N/A | |
| 358-2 | 80817471 | Straight Union | ZS-040 | After 9709053 | 3 | 3 | |
| 359-1 | 51111880 | Unit Control Tube B | PX0404-5300 | | 1 | N/A | |
| 359-2 | 51113120 | Unit Control Tube | PX0402-5300 | | N/A | 1 | |
| 360 | 51111900 | Unit Control Tube C | F1504-5300 Black | | 1 | N/A | |
| 361 | 90920675 | Hex Socket Head Cap Bolt | HSB0675 | | 3 | N/A | |
| 362 | 11112340 | MS Hyd. Hose | NH300-04-3900 | With 345X1ea. | 1 | 1 | |
| 363-1 | 51112400 | S Control Tube B | PX0404-5200 | Befre Jul. 2004) | 1 | N/A | |
| 363-2 | 51112401 | S Control Tube B | PX0404-5200 | After 0408001 | 1 | N/A | |
| 364-1 | 51110540 | Overflow Tube A | 11X6-4400 | Before 9701012 | 1 | 1 | |
| 364-2 | N/A | Overflow Tube A (U9510-4400) | Replace with ML31, 32 | 9701013-0810045 | 1 | 1 | N/A |
| 364-3 | N/A | Overflow Tube A (F1510-4400) | Replace with ML31 | After 0810016 | 1 | 1 | N/A |
| 365-1-1 | 90750410 | Screw | MSRP0410SE | Before Apr. 2001 | 5 | 2 | |
| 365-1-2 | 90780408 | Screw | MSRPS0408SE | After May. 2001 | 5 | 2 | |
| 366-1 | 51110520 | MS Control Tube | F1504-4400(黒) | Before 9709052 | 1 | 1 | |
| 366-2 | 51110521 | MS Control Tube | F1504-4400(黄) | After 9709053 | 1 | 1 | |
| 367 | 80821517 | Saddle | AC-16 | | 3 | 1 | |
| 368 | 80812975 | Adaptor | N014(G3/8XR3/8) | 9510012~Dec. 2011 | 1 | N/A | |
| 369 | 80813103 | Male & Female Elbow | HS-BC-3/8 | | 1 | N/A | |
| 370-1 | 11112360 | S. Hyd. Hose B (NH300-04-5700) | With 372X2ea. | Before 9510011) | 1 | N/A | |
| 370-2 | 11112361 | S. Hyd. Hose B (NH300-04-5700) | With 368X2ea. | 9510012~Dec. 2011 | 1 | N/A | |
| 371 | 80825291 | Vinyl Fastener | CV-150 | | 2 | 2 | |
| 372 | 80812974 | Adaptor (N014(G1/4XR3/8)) | Qty was changed after | 9510012 | 3→2 | N/A | |
| 373-1 | 11112280 | S Hyd. Hose A (NH300-04-4900) | With 372X2ea. | Before Dec. 2011 | 1 | N/A | |
| 374-1 | 80825050 | Hose Band | 8R-12R/8 | Before 9701012 | 2 | 2 | |
| 374-2 | 80817617 | Insert Ring | INS-U10 | 9701013~0810045 | 2 | 2 | |
| 374-3 | 80817660 | Insert Ring | INS-A10 | After 0810046 | 2 | 2 | |
| 375-1 | 80812400 | Hose Joint | YHT-7X7 | Before 9701012 | 1 | 1 | |
| 375-2 | 80817065 | Straight Union | MS-4100 | After 9701013 | 1 | 1 | |
| 376 | 11112320 | Unit Hyd. Hose B | IB280X420-06-5000 | With 372·637-1 | 1 | N/A | |

Piping

Model MUL30·MUL30E
Model MUL30H Alignment

Before Dec.2011



Piping (Before Dec.2011)

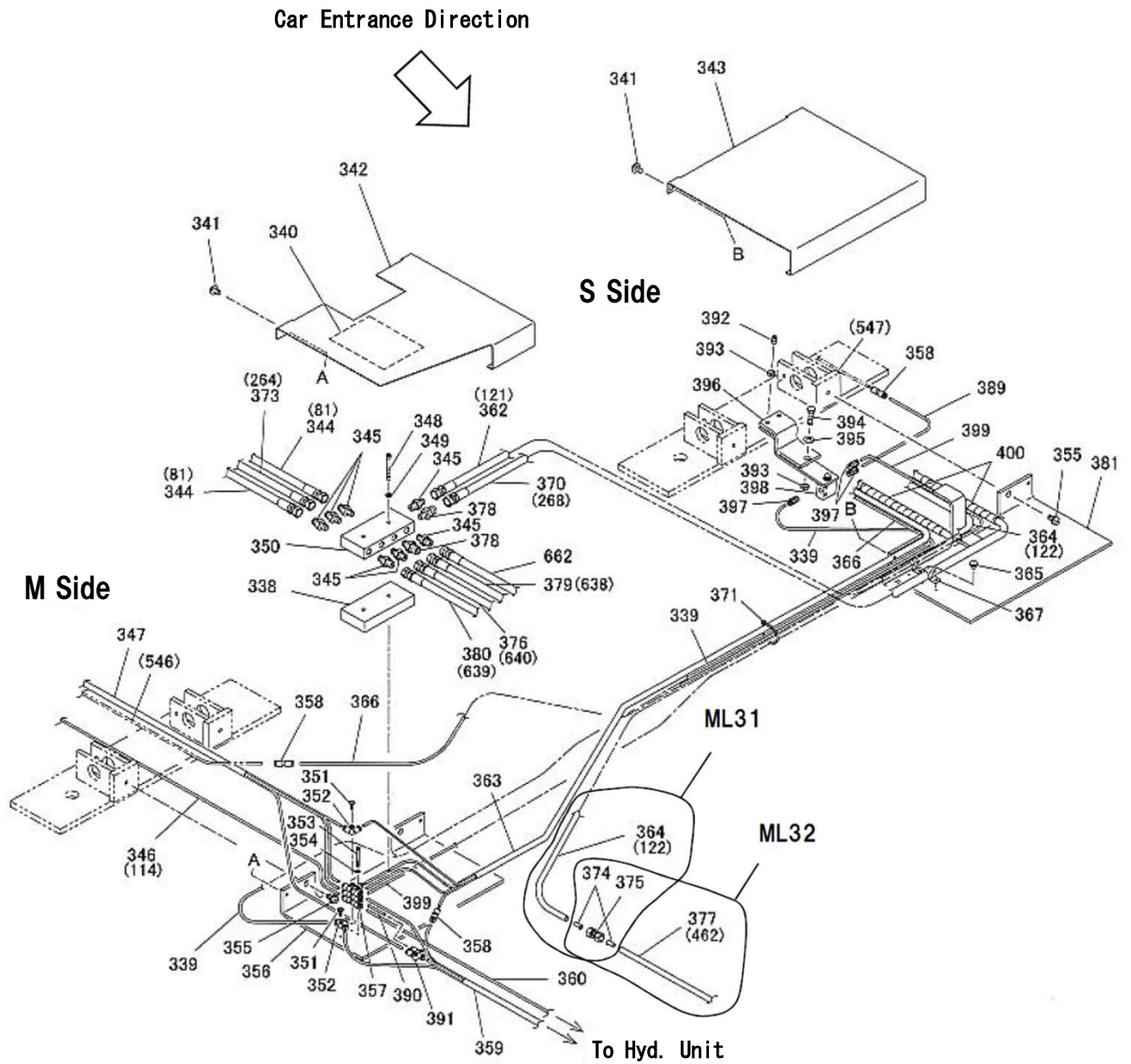
MUL30·MUL30E·MUL30H Alignment

| Ill.No. | Parts No. | Parts Name | Standard | Change Date & Note | Qty/Unit | | Price/ea. |
|---------|-----------|------------------------------|-----------------------|--------------------|----------|-----|-----------|
| | | | | | 30・30H | 30E | |
| 377-1 | 51112420 | Overflow Tube B | 11X6-5300 | Before 9701012 | 1 | 1 | |
| 377-2 | N/A | Overflow Tube B (U9510-5300) | Replace with ML31, 32 | 9701013~0810045 | 1 | 1 | N/A |
| 377-3 | N/A | Overflow Tube B (F1510-5300) | Replace with ML32 | After 0810016 | 1 | 1 | N/A |
| 378 | 80812954 | Adaptor | N010 (G3/8XR1/4) | After 9510012 | 1 | 1 | |
| 379-1 | 11112380 | Unit Hyd. Hose C | IB280X420-06-5000 | With 378・636-1 | 1 | 1 | |
| 380-1 | 11112301 | Unit Hyd. Hose A | IB280X420-06-5000 | With 345・637-1 | 1 | 1 | |
| 381-1-2 | 01497300 | S Base Piping Bracket | | | 1 | | |
| 381-2-2 | 01497900 | S Base Piping Bracket | | | | 1 | |
| 382 | 90920625 | Hex Socket Head Bolt | HSB0625 | | 8 | N/A | |
| 383 | 10215621 | Flow Dividing Valve Cover | | | 2 | N/A | |
| 384 | 80800030 | O Ring | P30 | | 2 | N/A | |
| 385 | 50615022 | Flow Dividing Valve Spring A | | | 3 | N/A | |
| 386 | 10215641 | Flow Dividing Valve Collar | | | 1 | N/A | |
| 387 | 10215632 | Flow Dividing Valve Spool | | | 2 | N/A | |
| 388 | 10215611 | Flow Dividing Valve Housing | | | 1 | N/A | |
| 389 | 51318760 | Unit Control Tube F | F1504-180R Red | | 1 | 1 | |
| 390 | 51110920 | Intermediate Tube C | F1504-40 Black | | 1 | 1 | |
| 391 | 80817451 | Y Union | ZY-0404 | | 1 | 1 | |
| 392 | 90960815 | Hex Socket Head Screw | HSS0815 | | 2 | 2 | |
| 393 | 90930308 | Hex Nut | HN08 (3) SE | | 3 | 3 | |
| 394 | 90910830 | Hex Bolt | HB0830SE | | 1 | 1 | |
| 395 | 90930708 | Flat Washer | PW08SE | | 1 | 1 | |
| 396 | 01497280 | Valve Fixing | | | 1 | 1 | |
| 397-1 | 80817202 | Half Union | ZH-041 | | 2 | 2 | |
| 398 | 80821115 | Tac Valve | 31P | | 1 | 1 | |
| 399 | 51112300 | Intermediate Tube D | F1504-2200 Green | | 1 | 1 | |
| 400 | 51112340 | Spiral Tube | NS-12-200 | | 2 | 2 | |
| 401 | 51112320 | Intermediate Tube E | F1504-2200 Red | | 1 | 1 | |
| | | | | | | | |

Piping

Model MUL30·MUL30E
Model MUL30H Alignment

After Jan. 2012



Piping (After Jan. 2012)

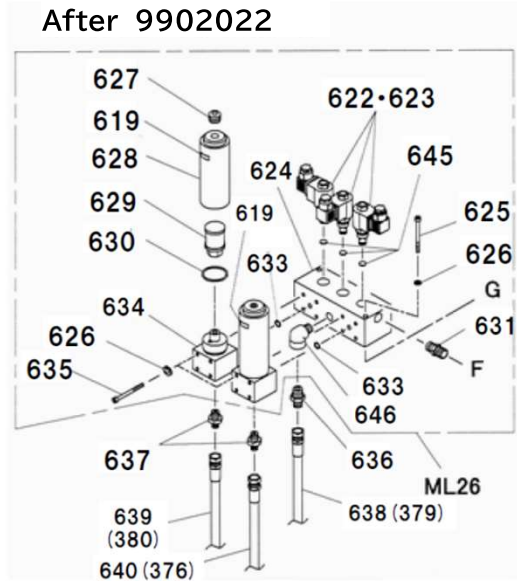
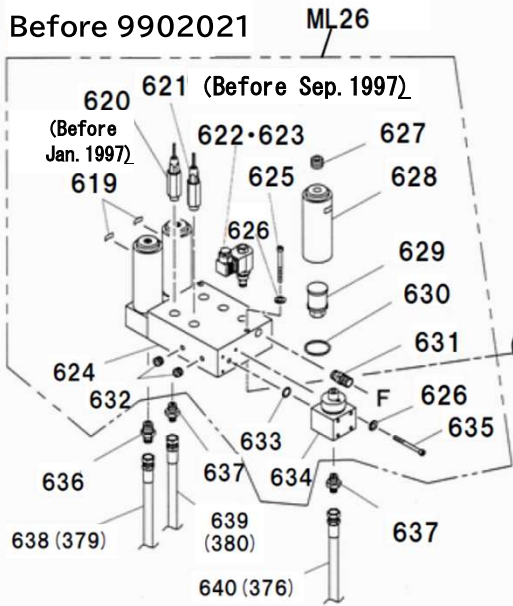
MUL30・MUL30E・MUL30H Alignment

| Ill.No. | Parts No. | Parts Name | Standard | Change Date & Note | Qty/Unit | | Price/ea. |
|---------|-------------|----------------------------|-------------------|---------------------------|----------|-----|-----------|
| | | | | | 30・30H | 30E | |
| ML31 | 75005981 | Overflow Tube A Assy | 124・364・374・375 | | 1 | | |
| ML32 | 75006141 | Overflow Tube B Assy | 377・374・375・465 | | 1 | | |
| | | | | | | | |
| 338 | 51112880 | Base Manifold Stand | | | 1 | | |
| 339-1 | 51112320 | Intermediate Tube E | F1504-2200 Red | | 1 | N/A | |
| 339-2 | 51113140 | Intermediate Tube F | F1504-2200 White | | N/A | 1 | |
| 340 | See Page 48 | Base Air Piping Label | | | 1 | N/A | |
| 341 | 90750610 | Screw | MSRP0610SE | | 4 | | |
| 342 | 11112182 | M Base Manifold Collar | | | 1 | | |
| 343 | 11112221 | S Base Piping Cover | | | 1 | | |
| 344 | 11112260 | MM Hyd. Hose | NH300-04-2200 | With 345X1ea. | 2 | | |
| 345 | 80812950 | Adaptor | N010(G1/4XR1/4) | | 7 | 4 | |
| 346 | 51110080 | MM Control Tube | F1504-2300 Black | | 1 | | |
| 347 | 51112380 | S Control Tube A | PX0404-4400 | | 1 | N/A | |
| 348 | 90920655 | Hex Socket Head Bolt | HSB0655 | | 2 | | |
| 349 | 90930506 | Spring Washer | SW06SE | | 2 | | |
| 350 | 11112141 | Base Manifold | | | 1 | | |
| 351 | 90750415 | Screw | MSRP0415SE | | 2 | N/A | |
| 352 | 80817441 | Both Side Open Elbow Union | ZF-040 | | 2 | N/A | |
| 353-1 | 90940440 | Pan Head Screw | MSR0440SE | | 2 | N/A | |
| 353-2 | 90750416 | Pan Head Screw | MSRP0416SE | | | 2 | |
| 354 | 90930704 | Flat Washer | PW04SE | | 2 | N/A | |
| 355 | 90770815 | Hex Bolt | HBS0815SE | | 4 | N/A | |
| 356 | 11112162 | M Base Manifold Bracket | | | 1 | | |
| 357 | 80817461 | T Union | ZT-040 | | 3 | 1 | |
| 358-2 | 80817471 | Straight Union | ZS-040 | | 3 | | |
| 359-1 | 51111880 | Unit Control Tube B | PX0404-5300 | | 1 | N/A | |
| 359-2 | 51113120 | Unit Control Tube | PX0402-5300 | | N/A | 1 | |
| 360 | 51111900 | Unit Control Tube C | F1504-5300 Black | | 1 | | |
| 362 | 11112340 | MS Hyd. Hose | NH300-04-3900 | With 345X1ea. | 1 | | |
| 363 | 51112401 | S Control Tube B | PX0404-5200 | | 1 | N/A | |
| 364-3 | N/A | オーパ°-フロ-チューブA | F1510-4400 Black | Replace with ML31 | 1 | | N/A |
| 365 | 90780408 | Pan Head Screw | MSRPS0408SE | | 3 | 2 | |
| 366-2 | 51110521 | MS Control Tube | F1504-4400 Yellow | | 1 | | |
| 367 | 80821517 | Saddle | AC-16 | | 2 | 1 | |
| 370-3 | 11112362 | S Hyd. Hose B | NH300-04-5700 | With 368・378 | 1 | N/A | |
| 371 | 80825291 | Vinyl Fastener | CV-150 | | 2 | | |
| 373-2 | 11112281 | S Hyd. Hose A | NH300-04-4900 | With 345・372 | 1 | N/A | |
| 374-3 | 80817660 | Insert Ring | INS-A10 | | 2 | | |
| 375-2 | 80817065 | Straight Union | MS-4100 | | 1 | | |
| 376-2 | 11112321 | Unit Hyd. Hose B | IB280X420-06-5000 | With 345・637-2 | 1 | N/A | |
| 377-3 | 51112423 | Overflow Tube B | F1510-5300 Black | | 1 | | |
| 378 | 80812954 | Adaptor | N010(G3/8XR1/4) | | 2 | 1 | |
| 379-2 | 11112381 | Unit Hyd. Hose C | IB280X420-06-5000 | With 378・No.14(G3/8XR1/4) | 1 | | |
| 380-2 | 11112302 | Unit Hyd. Hose A | IB280X420-06-5000 | With 345・No.14(G1/4XR1/4) | 1 | | |
| 381-1 | 01497300 | S Base Piping Bracket | | | 1 | | |
| 389 | 51318760 | Unit Control Tube F | F1504-180 Red | | 1 | | |
| 390 | 51110920 | Intermediate Tube C | F1504-40 Black | | 1 | N/A | |
| 391 | 80817451 | Y Union | ZY-0404 | | 1 | N/A | |
| 392 | 90960815 | Hex Socket Head Screw | HSS0815 | | 2 | | |
| 393 | 90930308 | Hex Nut | HN08(3)SE | | 3 | | |
| 394 | 90910830 | Hex Bolt | HB0830SE | | 1 | | |
| 395 | 90930708 | Flat Washer | PW08SE | | 1 | | |
| 396 | 01497280 | Valve Fixing Stay | | | 1 | | |
| 397 | 80817202 | Half Union | ZH-041 | | 3 | | |
| 398 | 80821115 | Tac Valve | 31P | | 1 | | |
| 399 | 51112300 | Intermediate Tube D | F1504-2200 Green | | 1 | | |
| 400 | 51112340 | Spiral Tube | NS-12-200 | | 2 | 1 | |
| 662 | 51112860 | Unit Hyd. Hose D | IB280X420-06-5000 | With 345・637-2 | 1 | N/A | |
| | | | | | | | |

Valve Manifold & Air Parts Before Dec. 2011

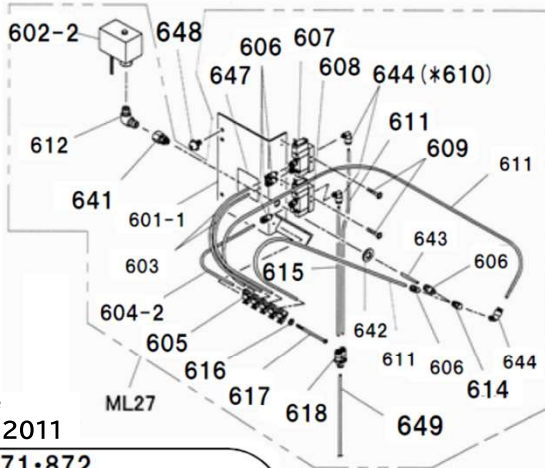
Model MUL30·MUL30E
Model MUL30H Alignment

ML26 Valve Manifold Assy

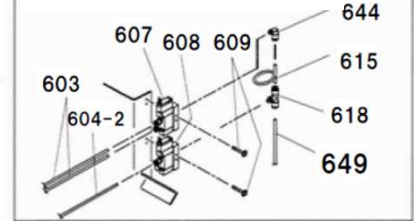


ML27 Air Parts Assy

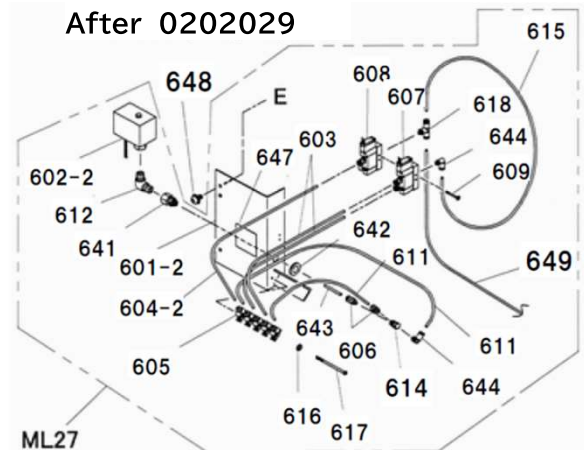
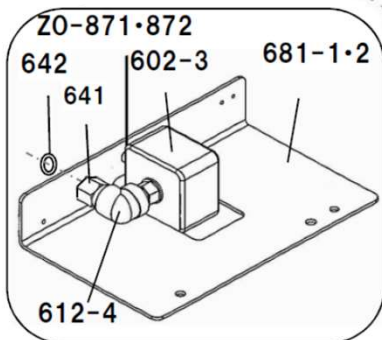
~00/3



Mar.2000~Feb. 2002



Before Dec.2011



Valve Manifold and Air Parts
(Before Dec. 2011)

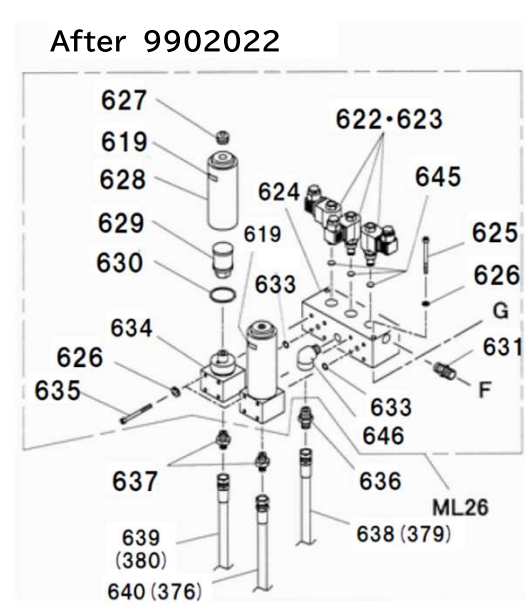
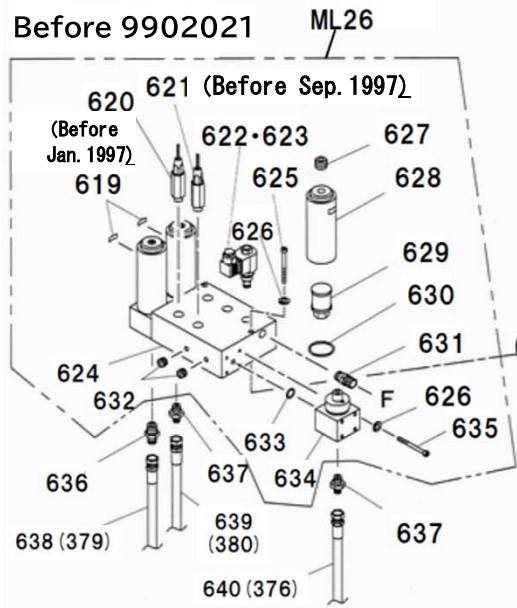
MUL30・MUL30E・MUL30H Alignment

| Ill.No. | Parts No. | Parts Name | Standard | Change Date & Note | Qty/Unit | | Price/ea. |
|---------|-----------|---|--|-------------------------------|----------|------|-----------|
| | | | | | 30・30H | 30E | |
| ML26-1 | 01497043 | Valve Manifold Assy | Old Type not available | After 9902022 | 1 | | |
| ML26-2 | 01497843 | Valve Manifold Assy | Old Type not available | After 9902022 | | 1 | |
| ML27-1 | 01497002 | Air Parts Assy | Old Type not available | After 0202029 | 1 | | |
| ML27-2 | 01497822 | Air Parts Assy | Old Type not available | After 0202029 | | 1 | |
| Z0-871 | 70002701 | Pressure Switch A Assy | 602-3-612-4-641-642-681-1 | Before Feb. 2000 | 1 | | |
| Z0-872 | 70002702 | Pressure Switch B Assy | 602-3-612-4-641-642-681-2 | Mar. 2000~Dec. 2011 | 1 | | |
| 601-1 | 01497020 | Air Parts Fixing Plate | | Before 0202028 | 1 | | |
| 601-2 | 01497021 | Air Parts Fixing Plate | | After 0202029 | 1 | | |
| 602-2 | N/A | Pressure Switch | PS1 | Replace with Z0-871 or Z0-872 | 1 | | N/A |
| 602-3 | 80820873 | Pressure Switch | GS1-50-78W | used for Z0-871/872 | 1 | | |
| 603 | 11119280 | Unit Control Tube D | F1504-220 | (MUL) | 2 | | |
| 604-2 | 51110100 | Intermediate Tube | F1504-160 | | 1 | | |
| 605 | 80817441 | Both side open Elbow Union | ZF-040 | | 5 | 2 | |
| 606 | 80817201 | Half Union (ZH-045M) | Qty was changed after Mar. 2000 Abolished after Mar. 2003 | | 4→2 | | |
| 607-1 | 80821106 | Selex Valve (Upper-Upper side) | 4KA110-M5 | Before 0003002 | 1 | | |
| 607-2 | 80821216 | Selex Valve (Upper-Front side) | 4GA110R-C4-3 | After 0003003 | 1 | | |
| 608-1 | 80821105 | Selex Valve (Lower-Upper side) | 3KA110-M5 | Before 0003005 | 1 | | |
| 608-2 | 80821217 | Selex Valve (Lower-Front side) | 3GA110R-C4-3 | After 0003006 | 1 | | |
| 609-1 | 90750320 | Screw | MSRP0320SE | Before 0202028 | 4 | 2 | |
| 609-2 | 90750330 | Screw | MSRP0330SE | After 0202029 | 2 | | |
| 609-1 | 90750320 | Screw | MSRP0320SE | After 0202029 | | 2 | |
| 610 | 80817042 | Turn Elbow Union | SLL-045MRV | After Nov. 1997 | 2 | 1 | |
| 611 | 51318800 | Unit Control Tube H | F1504-200 | 00/03~数変更 | 3→2 | 1 | |
| 612-2 | 80810702 | Male & Female Elbow | STE1/4SE | Before Oct. 1997 | 1 | | |
| 612-3 | 80813920 | 90° Male Elbow | HS-SJ-1/4X1/4 | After Nov. 1997 | 1 | | |
| 612-4 | 80813102 | Male & Female Elbow | HS-BC-1/4 | used for Z0-871-872 | 1 | | |
| 614 | 80821079 | Quick Exhaust Valve | SQE | | 1 | | |
| 615-1 | 51318780 | Unit Control Tube G | F1504-110 | Before 0003002 | 1 | | |
| 615-2 | 11119240 | Unit Control Tube B | F1504-300 | After 0003003 | 1 | | |
| 616 | 90930504 | Spring Washer | SW04SE | | 1 | | |
| 617-1 | 90940470 | Pan Head Screw | MSR0470SE | | 1 | | |
| 617-3 | 90780430 | Pan Head Screw | MSRPS0430SE | | | 1 | |
| 618-1 | 80817090 | Y Union | SLY-0404V | Before 0003002 | 1 | | |
| 618-2 | 80817075 | C Union | SLC-045MV | 0003003~Nov. 2007 | 1 | | |
| 618-3 | 80817281 | C Union | ZC-045M | After Dec. 2007 | 1 | | |
| 619 | N/A | Manifold Label | | After 9508003 | 1 | | N/A |
| 620-1 | 80820904 | Pressure Switch | PS210-2 | Before 9508021 (LS3) | 1 | | |
| 620-2 | 80820900 | Pressure Switch (PS180-2) LS3 | 9508022~Jan. 1997 | Abolished after Jan. 1997 | 1 | | |
| 621 | N/A | Pressure Switch (PS7-1) LS1 | Abolished after Sep. 1997 | | 1 | | N/A |
| 622 | 80821135 | Shut Off Valve | MHW-C30FP | New and Old compatible | 3 | 2 | |
| 623 | 80818394 | Shut Off Valve (Only Coil) | for MHW-C30F | | 3 | 2 | |
| 624-1 | N/A | Valve Manifold (Old type not available) | Replace with ML26-1 | After 9902022 | 1 | | N/A |
| 624-2 | N/A | Valve Manifold (Old type not available) | Replace with ML26-2 | After 9902022 | | 1 | N/A |
| 625 | 90920670 | Hex Socket Head Cap Bolt | HSB0670 | | 2 | | |
| 626 | 90930506 | Spring Washer (SW06SE) | Qty was changed after 9902022 | | 14→10 | 10→6 | |
| 627 | 80850002 | Hex Socket Head Plug (HSP1/4) | Qty was changed after 9902022 | | 3→2 | 2→1 | |
| 628 | 00028070 | Filter Cap | Qty was changed after 9902022 | | 3→2 | 2→1 | |
| 629 | 80818933 | Strainer (YMD-30310-10) | Qty was changed after 9902022 | | 3→2 | 2→1 | |
| 630 | 80800538 | O Ring (P39-1B) | Qty was changed after 9902022 | | 3→2 | 2→1 | |
| 631 | 80814912 | Connector | HS-S-12X3/8 | | 1 | | |
| 632 | 80850001 | Hex Socket Head Plug (HSP1/8) | Abolished after 9902021 | | 2 | 1 | |
| 633 | 80800008 | O Ring (P10) | Qty was changed after 9902022 | | 3→2 | 2→1 | |
| 634 | 11119420 | Filter Block | Qty was changed after 9902022 | | 3→2 | 2→1 | |
| 635-1 | 90920660 | Hex Socket Head Cap Bolt | HSB0660 | Before 9611055 | 12 | 8 | |
| 635-2 | 90920665 | Hex Socket Head Cap Bolt (HSB0665) | 9611056~9902021 | Qty was changed after 9902022 | 12→8 | 8→4 | |
| 636-1 | 80812955 | Adaptor | NO10 (G3/8XR3/8) | | 1 | | |
| 637-1 | 80812953 | Adaptor | NO10 (G1/4XR3/8) | | 2 | 1 | |

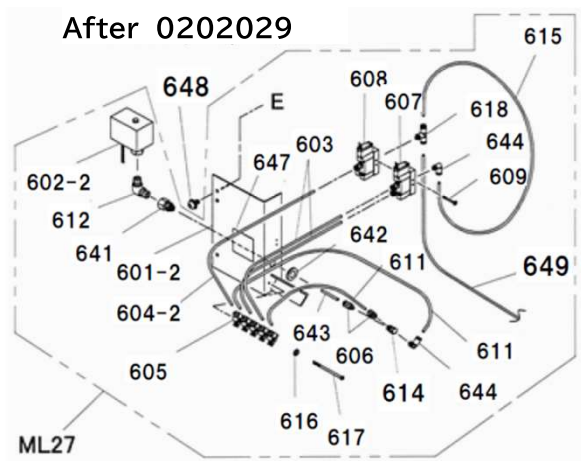
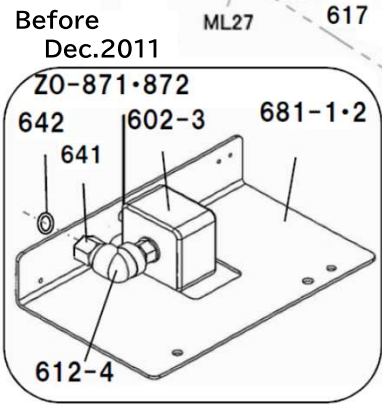
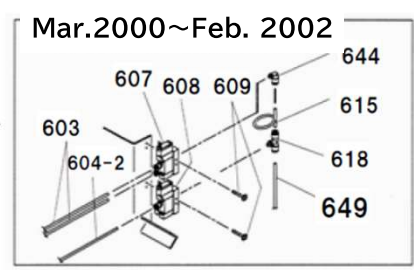
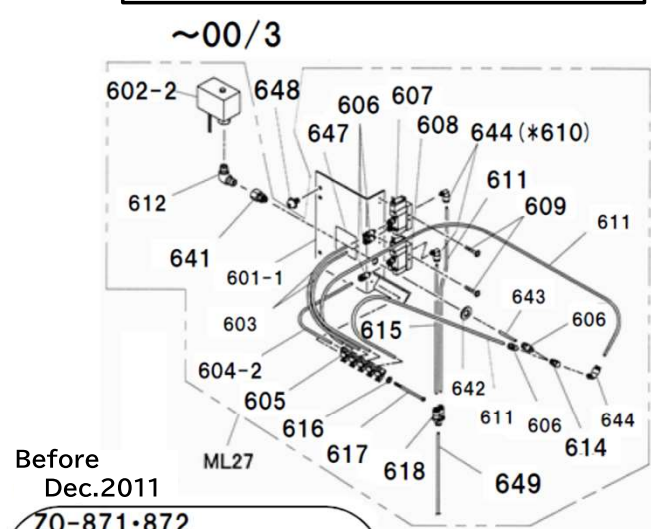
Valve Manifold & Air Parts Before Dec. 2011

Model MUL30·MUL30E
Model MUL30H Alignment

ML26 Valve Manifold Assy



ML27 Air Parts Assy



Valve Manifold and Air Parts
(Before Dec. 2011)

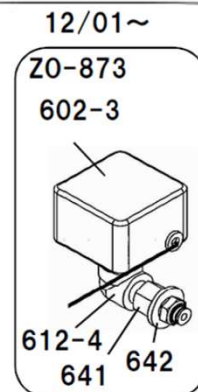
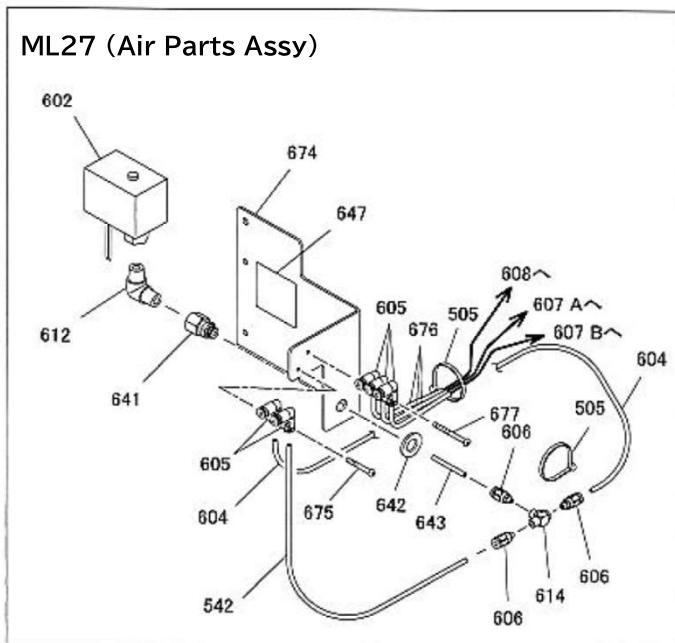
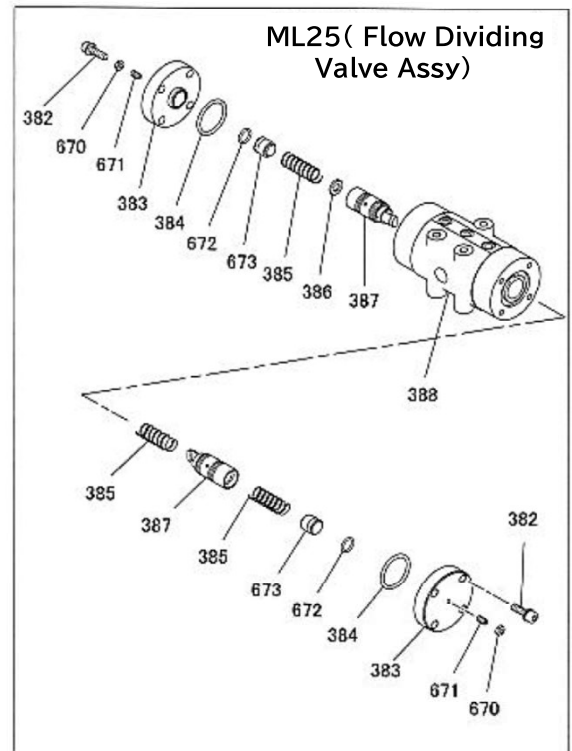
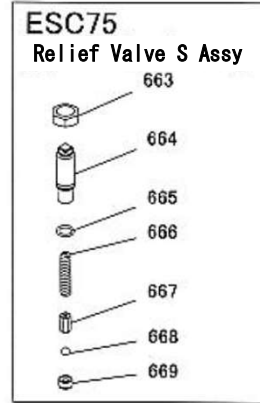
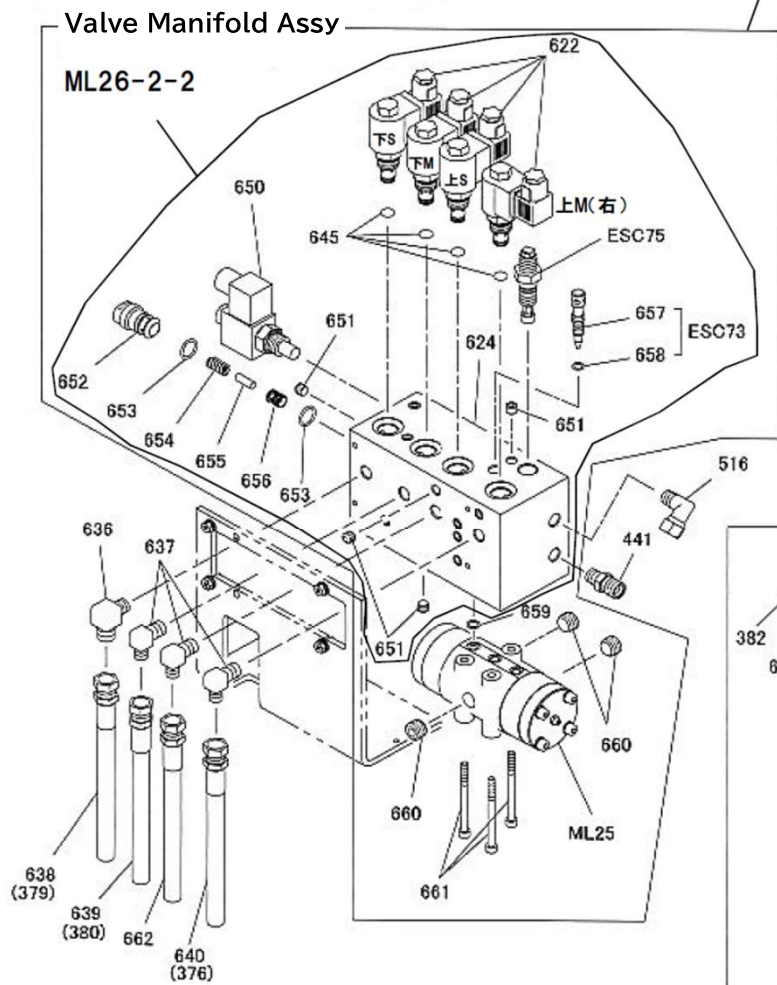
MUL30・MUL30E・MUL30H Alignment

| Ill.No. | Parts No. | Parts Name | Standard | Change Date & Note | Qty/Unit | | Price/ea. |
|---------|-----------|------------------------|---|---------------------|----------|-----|-----------|
| | | | | | 30・30H | 30E | |
| 638-1 | 11112380 | Unit Hyd. Hose C | IB280X420-06-5000 | with 378・636-1 | 1 | | |
| 639 | 11112301 | Unit Hyd. Hose A | IB280X420-06-5000 | with 345・637-1 | 1 | | |
| 640 | 11112320 | Unit Hyd. Hose B | IB280X420-06-5000 | with 372・637-1 | 1 | | |
| 641 | 80817422 | Female union | ZE-042 | | 1 | | |
| 642 | 90930712 | Flat Washer | PW12SE | | 1 | | |
| 643 | 51110920 | intermediate Tube C | F1504-40 Black | | 1 | | |
| 644 | 80817221 | Elbow Union (ZL-045M) | Qty was changed Nov. 1997 and Mar. 2000 | | 2→3→1 | 1 | |
| 645 | 80826016 | Disc Filter | 20404200120C | After 9902022 | 3 | | |
| 646 | 80813103 | Male & Female Elbow | HS-BC-3/8 | After 9902022 | 1 | | |
| 647 | N/A | Air Piping Label (Old) | | | 1 | | N/A |
| 648 | 90780510 | Pan Head Screw | MSRPS0510SE | 04/07～数変更 | 8→6 | | |
| 649 | 51111920 | Unit Control Tube A | F1504-900 | | 1 | 1 | |
| 681-1 | 70002960 | Air Parts Fixing Plate | for Z0-871 | Before Feb. 2000 | 1 | | |
| 681-2 | 70002950 | Air Parts Fixing Plate | for Z0-872 | Mar. 2000～Dec. 2011 | 1 | | |
| | | | | | | | |

Valve Manifold & Air Parts After Jan. 2012

Model MUL30·MUL30E
Model MUL30H Alignment

ML26-1-2



Valve Manifold and Air Parts
(After Jan. 2012)

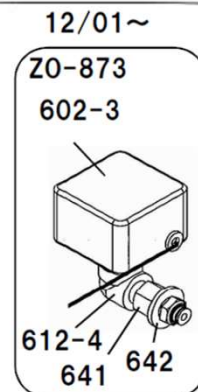
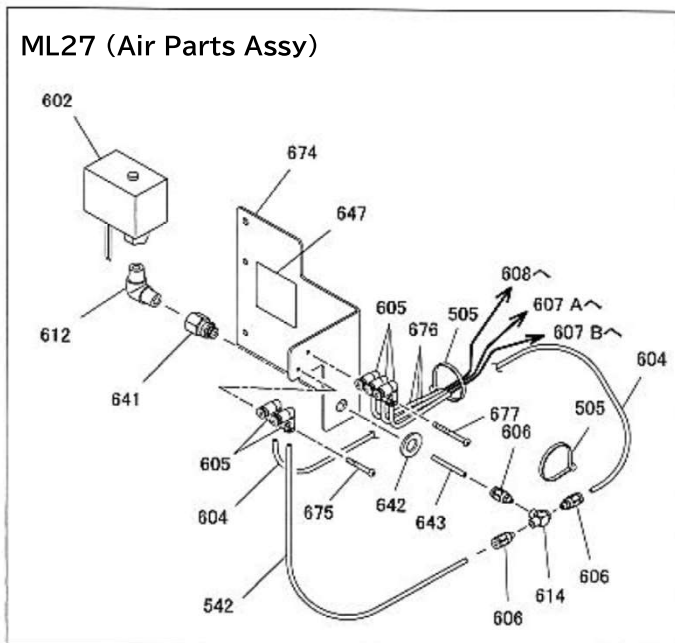
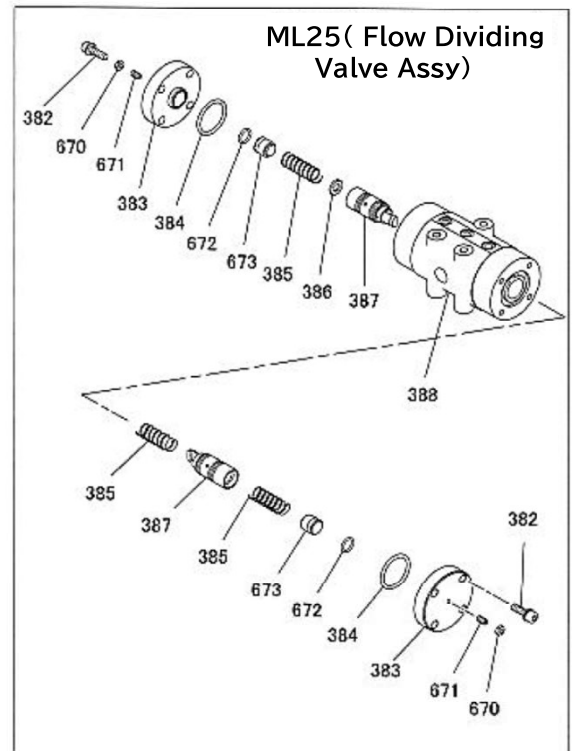
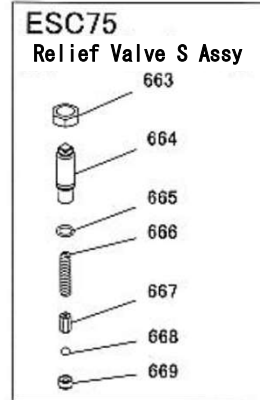
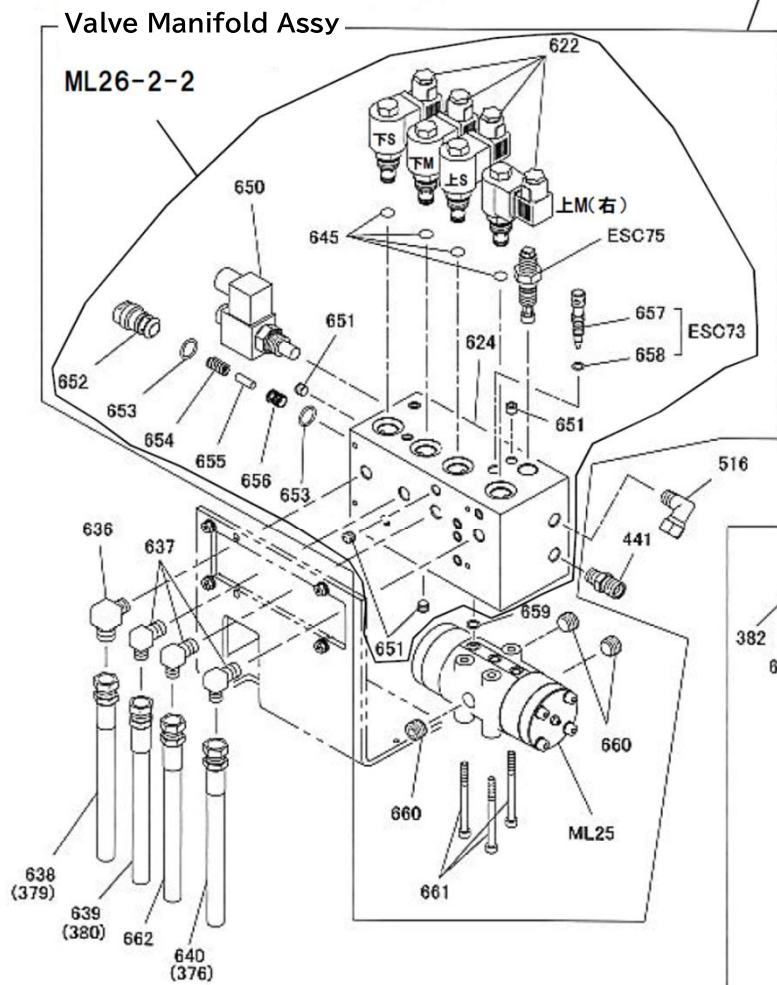
MUL30·MUL30E·MUL30H Alignment

| Ill. No. | Parts No. | Parts Name | Standard | Change Date & Note | Qty/Unit | | Price/ea. |
|----------|-------------|--|---|-----------------------|----------|-----|-----------|
| | | | | | 30·30H | 30E | |
| ML25-2 | 01497420 | Flow Dividing Valve Assy | 382~385, 387, 388·670~673 | | 1 | N/A | |
| ML26-1-2 | 01497044 | Valve Manifold Assy | 622·624·645·650~661·ML25-ESC75 | | 1 | N/A | |
| ML26-2-2 | 01497844 | Valve Manifold Assy | 622·624·645·650~658·ESC75 | | N/A | 1 | |
| ML27-1-2 | 01497003 | Air Parts Assy | 505~614·641~643·647·674~677 | | 1 | N/A | |
| ML27-2-2 | 01497823 | Air Parts Assy | 602·604·605·612·641·642·674·676·677 | | N/A | 1 | |
| ESC73 | 00434620 | Lowering Assy | 657·658 | | 1 | | |
| ESC75 | 00434660 | Relief Valve Assy | 663~669 | | 1 | | |
| ZO-873 | 70002703 | Pressure Switch C Assy | 682~685 | After Jan. 2012 | 1 | | |
| 382-2 | 90760620 | Hex Socket Head Cap Bolt | HSBS0620 | | 8 | N/A | |
| 383-2 | 51112780 | Flow Dividing Valve Cover | | | 2 | N/A | |
| 384 | 80800030 | O ring | P30 | | 2 | N/A | |
| 385 | 50615022 | Flow Dividing Valve Spring A | | | 3 | N/A | |
| 386 | 10215641 | Flow Dividing Valve Collar | Abolished after 1510024 | | 1→0 | N/A | |
| 387 | 10215632 | Flow Dividing Valve Spool | | | 2 | N/A | |
| 388-2 | 51112740 | Flow Dividing Valve Housing | | | 1 | N/A | |
| 441 | 80814910 | Connector | HS-S-10X1/4 | | 1 | | |
| 505 | 80825291 | Vinyl Fastener | | | 2 | N/A | |
| 542 | 51110320 | Intermediate Tube A | F1504-130 Black | | 1 | N/A | |
| 602-2 | N/A | Pressure Switch (PS1) - Replace with ZO-873 | Before 1310050 - 30 Type Before 1310015 - E Type | | 1 | | N/A |
| 602-3 | 80820873 | Pressure Switch (GS1-50-78W) | After 1310051 - 30 Type After 1310016 - E Type | | 1 | | |
| 604-2 | 51110100 | Intermediate Tube | F1504-160 Black | | 1 | | |
| 605 | 80817441 | Both side open Elbow Union | ZF-040 | | 5 | 2 | |
| 606 | 80817201 | Half Union | ZH-045M | | 3 | N/A | |
| 612-3 | 80813920 | 90° Male Elbow (HS-SJ-1/4X1/4) | Before 1310050 - 30 Type Before 1310015 - E Type | | 1 | | |
| 612-4 | 80813102 | Male & Female Elbow (HS-BC-1/4) | After 1310051 - 30 Type After 1310016 - E Type | | 1 | | |
| 614 | 80821079 | Quick Exhaust Valve | SQE | | 1 | N/A | |
| 622 | 80821129 | Shut Off Valve | MHW-C-30FP-300 | Weber | 4 | 2 | |
| 624-1 | N/A | Valve Manifold | | Replace with ML26-1-2 | 1 | N/A | N/A |
| 624-2 | N/A | Valve Manifold | | Replace with ML26-2-2 | N/A | 1 | N/A |
| 636-2 | 80812976 | Adaptor | N014 (G3/8XR1/4) | | 1 | | |
| 637-2 | 80812970 | Adaptor | N014 (G1/4XR1/4) | | 3 | 1 | |
| 638-2 | 11112381 | Unit Hyd. Hose C | IB280X420-06-5000 | With 378-636-2 | 1 | | |
| 639-2 | 11112302 | Unit Hyd. Hose A | IB280X420-06-5000 | With 345-637-2 | 1 | | |
| 640-2 | 11112321 | Unit Hyd. Hose B | IB280X420-06-5000 | With 345-637-2 | 1 | N/A | |
| 641 | 80817422 | Female Union | ZE-042 | | 1 | | |
| 642 | 90930712 | Flat Washer | PW12SE | | 1 | | |
| 643 | 51110920 | Intermediate Tube C | F1504-40 Black | | 1 | N/A | |
| 645 | 80826016 | Disc Filter | 20404200120C | | 4 | 2 | |
| 647 | See Page 48 | Air Piping Label | | | 1 | N/A | |
| 650 | 80818568 | Electro Check Valve | 7789671A20550C2 | Oilsistem | 1 | | |
| 651 | 80850011 | Hex Socket Head Plug | HSP1/8 | | 12 | 9 | |
| 652 | 11501320 | Flow Control Housing | | | 1 | | |
| 653 | 80800516 | O Ring | P16-1B | | 2 | | |
| 654 | 11788360 | Flow Control Spring | | | 1 | | |
| 655 | 50627850 | Flow Control Stopper | | | 1 | | |
| 656 | 11501120 | Flow Control Spool | | | 1 | | |
| 657 | 11501220 | Lowering Valve | | | 1 | | |
| 658 | 80800506 | O Ring | P8-1B | | 1 | | |
| 659 | 80800507 | O Ring | P9-1B | | 3 | N/A | |
| 660 | 80850013 | Hex Socket Head Plug | HSP3/8 | | 3 | N/A | |
| 661 | 90920675 | Hex Socket Head Bolt | HSB0675 | | 3 | N/A | |
| 662 | 51112860 | Unit Hyd. Hose D | IB280X420-06-5000 | With 345-637-2 | 1 | N/A | |
| 663 | 90931140 | Nut | HN16(3)SE | | 1 | | |
| 664 | 11500790 | Relief Screw | | | 1 | | |
| 665 | 80800012 | O Ring | P12 | | 1 | | |
| 666 | 50562451 | Relief Spring | | | 1 | | |
| 667 | 11531000 | Relief Spool Housing | | | 1 | | |
| 668 | 80843022 | Steel Ball | 9/32A | | 1 | | |
| 669 | 11529780 | Relief Spool | | | 1 | | |

Valve Manifold & Air Parts After Jan. 2012

Model MUL30·MUL30E
Model MUL30H Alignment

ML26-1-2



Valve Manifold and Air Parts
(After Jan. 2012)

MUL30·MUL30E·MUL30H Alignment

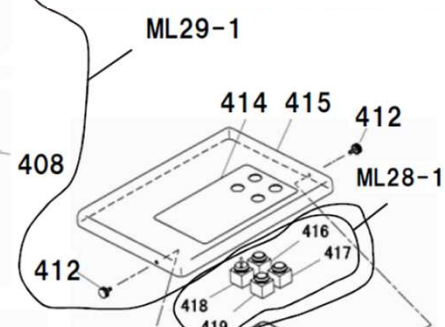
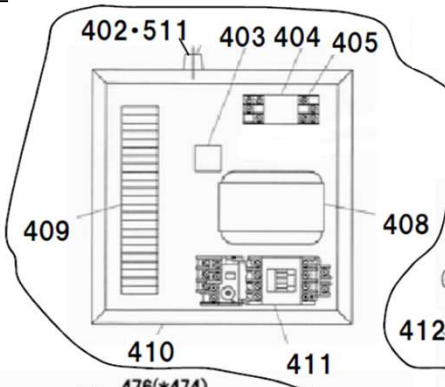
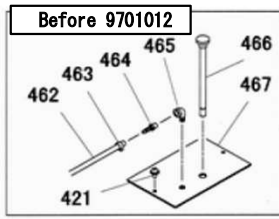
| Ill. No. | Parts No. | Parts Name | Standard | Change Date & Note | Qty/Unit | | Price/ea. |
|--------------|-----------|-----------------------|-----------------|--------------------|----------|-----|-----------|
| | | | | | 30 - 30H | 30E | |
| 670 | 90930305 | Hex Nut | HN05 (3) SE | | 2 | N/A | |
| 671 | 90964515 | Hex Socket Head Screw | HSS0515 | | 2 | N/A | |
| 672 | 80800054 | O Ring | P11 | | 2 | N/A | |
| 673 | 51112760 | Adjust Piston | | | 2 | N/A | |
| 674 | 11036621 | Air Bracket | | | 1 | | |
| 675 | 90940430 | Pan Head Screw | MSR0430SE | | 1 | N/A | |
| 676 | 11790440 | Air Tube D | F1504-365 Black | | 3 | 1 | |
| 677-1 | 90940440 | Pan Head Screw | MSR0440SE | | 1 | | |
| 677-2 | 90780430 | Pan Head Screw | MSRPS0430SE | | N/A | 1 | |
| | | | | | | | |

Hyd. Unit

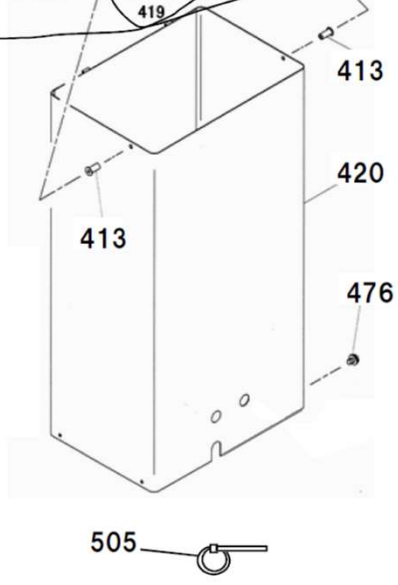
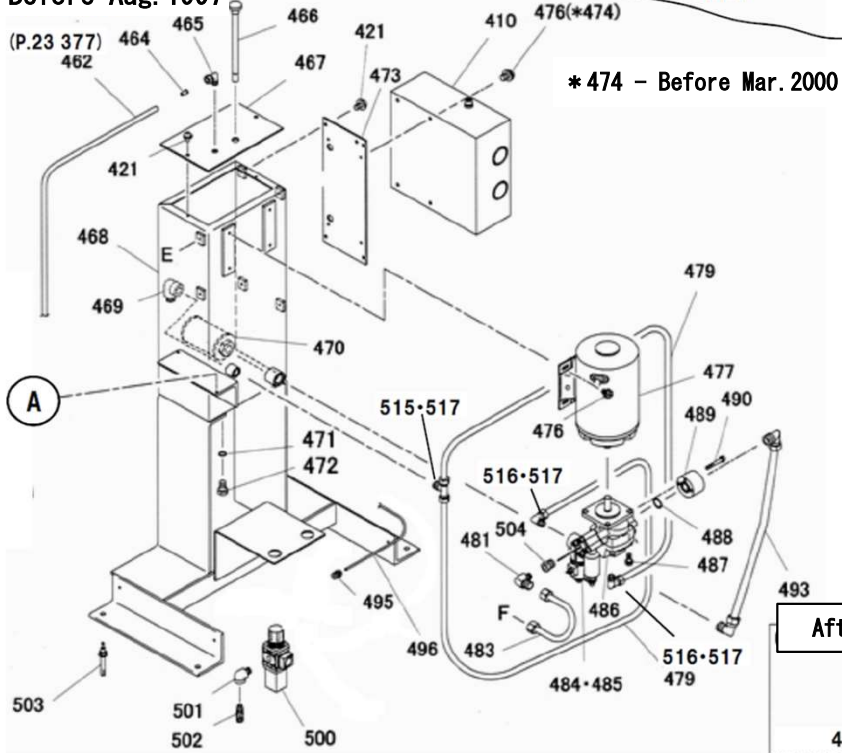
Before Dec. 2011

Model With Upper Lift

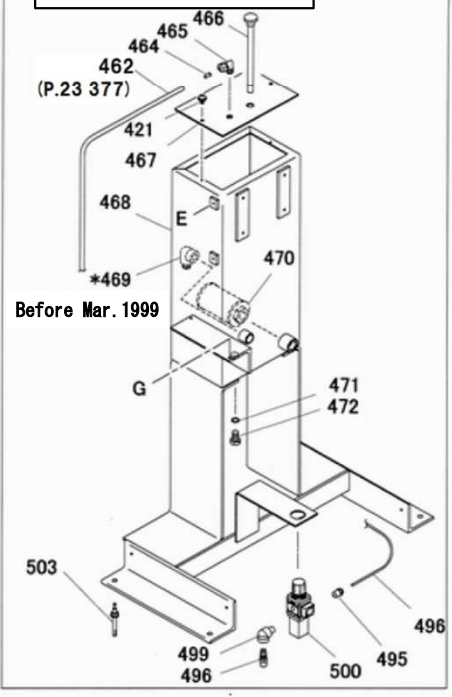
Model MUL30
Model MUL30H



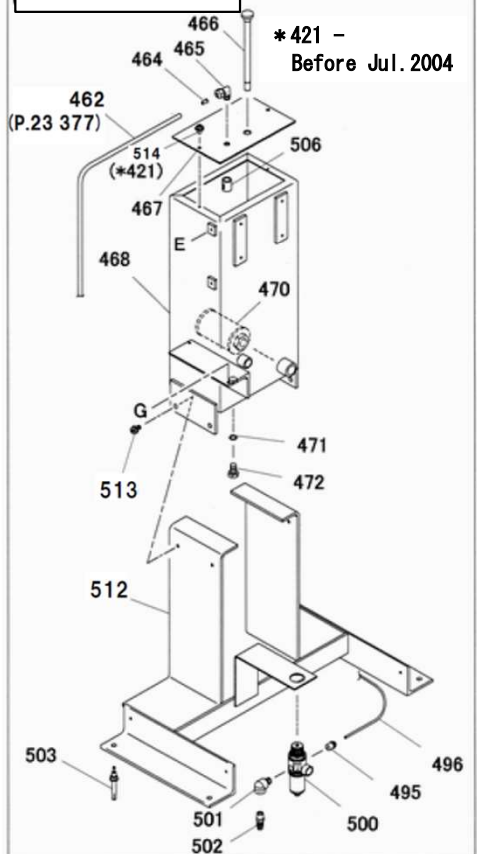
Before Aug. 1997



Sep. 1997~Sep. 2002



After 0209018



Hyd. Unit
(Before Dec. 2011)

MUL30・MUL30H Alignment
(Model with Upper Lift)

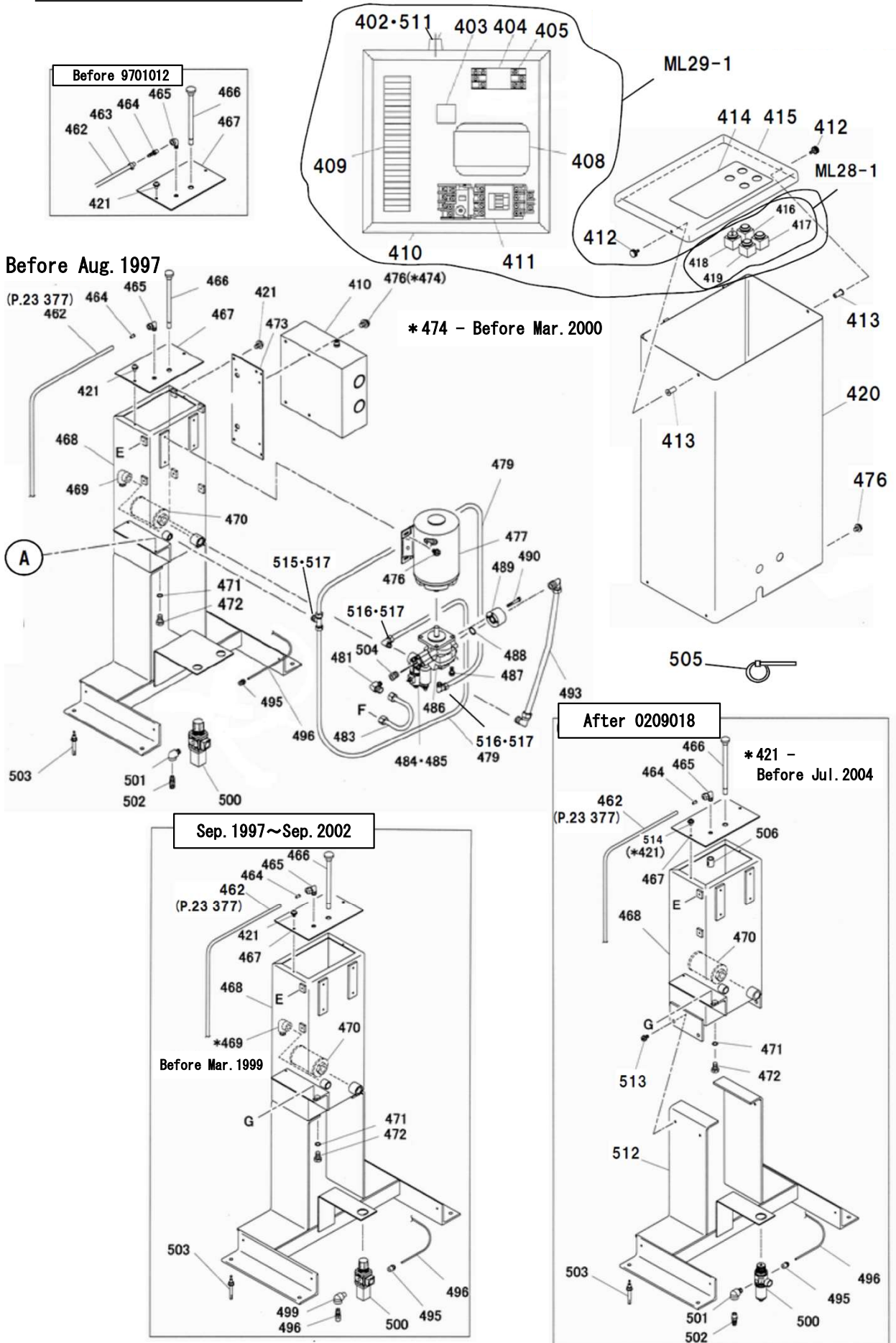
| Ill.No. | Parts No. | Parts Name | Standard | Change Date & Note | Qty/Unit | | Price/ea. |
|---------|-----------|-------------------------------|-------------------------|---------------------------|----------|-----|-----------|
| | | | | | 30 | 30H | |
| ML29-1 | 01497062 | Wiring Set | Old Model not available | After Sep. 1997 | 1 | | |
| ML28-1 | 75005940 | Push Button Switch Set | 416~419 | | 1 | | |
| 402 | 80820487 | Fuse | 1A | | 1 | | |
| 403 | 70015270 | Rectifying Bridge & Condensor | S5VB60, 4700 μ F | | 1 | | |
| 404-1 | 80820406 | Relay | HH54P-L DC24V | Before Aug. 1997 | 1 | | |
| 404-2 | 80803600 | Mini Control Relay | HH52P-L | After Sep. 1997 | 1 | | |
| 405-1 | 80820453 | Socket | TP514X1 | Before Aug. 1997 | 1 | | |
| 405-2 | 75006160 | Socket | TP58X1 | After Sep. 1997 | 1 | | |
| 408 | 80820834 | Transformer | P:200V | | 1 | | |
| | 80820838 | Transformer | 380V | | 1 | | |
| | 80820841 | Transformer | 415V | | 1 | | |
| | 80820844 | Transformer | 440V | | 1 | | |
| 409-1 | 75006170 | Terminal Block | F-15 24P | New and Old compatible | 1 | | |
| 410 | 51112600 | Control Box | | | 1 | | |
| 411 | 80820622 | Magnet Contactor & Thermal | SW-0(Fuji)AC24V | | 1 | | |
| 412 | 80826512 | Screw | NO.-3-M5X12 White | | 2 | | |
| 413 | 90928132 | Well Nut | HP-1032 | | 2 | | |
| 414-1 | 51112480 | Control Panel | | | 1 | | |
| 415 | 01497100 | Unit Case Upper Plate | | | 1 | | |
| 416 | 80820935 | Push Button Switch | ABN111-Green(Upper) | | 1 | | |
| 417 | 39010260 | Push Button Switch | ABN-110-Red(Lower) | | 1 | | |
| 418 | 80820883 | Select Switch | ASN310 | | 1 | | |
| 419 | 80820936 | Push Button Switch | ABN111-Black(Level) | | 1 | | |
| 420-1 | 01497120 | Unit Case Side Plate | | Before Aug. 1997 | 1 | | |
| 420-2 | 01497122 | Unit Case Side Plate | | After Sep. 1997 | 1 | | |
| 421 | 90780510 | Screw | MSRPS0510SE | 04/07~数変更 | 8→6 | | |
| 462-1 | 51112420 | Overflow Tube B | 11X6-5300 | Before 9701012 | 1 | | |
| 462-2 | N/A | Overflow Tube B (U9510-5300) | Replace with ML31, 32 | 9701013~0810045 | 1 | | N/A |
| 462-3 | N/A | Overflow Tube B (F1510-5300) | Replace with ML32 | After 0810016 | 1 | | N/A |
| 463 | 80825023 | Hose Band | SIZE12(000) 13R | Before 9701012 | 1 | | |
| 464-1 | 80812102 | Air Hose Nipple | AHN-PT1/8X7R | Before 9701012 | 1 | | |
| 464-2 | 80817617 | Insert Ring | INS-U10 | 9701013~0810045 | 2 | | |
| 464-3 | 80817660 | Insert Ring | INS-A10 | After 0810046 | 2 | | |
| 465-1 | 80810701 | Male and Female Elbow | STE1/8SE | Before 9701012 | 1 | | |
| 465-2 | 80817330 | Elbow Union | ML-2102 | After 9701013 | 1 | | |
| 466 | 01507630 | Level Bar Assy | | | 1 | | |
| 467-1 | 11119680 | Tank Cover | | Before 9701012 | 1 | | |
| 467-2 | 11119681 | Tank Cover | | After 9701013 | 1 | | |
| 468 | 01497145 | Oil Tank | Old type not available | After 1005027 | 1 | | |
| 469 | 80810703 | Male and Female Elbow | STE3/8SE | Before 9902021 | 1 | | |
| 470-1 | 80818950 | Strainer | SS-40610-15 | Before 9605020 | 1 | | |
| 470-2 | 80818951 | Strainer | SS-40610-10 | After 9605021 | 1 | | |
| 471 | 80800012 | O Ring | P12 | | 1 | | |
| 472 | 90911220 | Hex Bolt | HB1220SE | | 1 | | |
| 473 | 11111800 | Control Box Fixing Plate | | | 1 | | |
| 474 | 90780610 | Screw | MSRPS0610SE | Before Mar. 2000 | 8 | | |
| 476 | 90790610 | Hex Bolt | HBPS0610SE | 00/03~数変更 | 4→12 | | |
| 477 | 80820013 | Motor (200V) | TWC4712AG(Sanso) | (0003003~) | 1 | | |
| | 80820014 | Motor (380/415V) | | | 1 | | |
| 479-1 | N/A | Drain Hose | F1512-700 Black | Replace with 479-2 | 2 | | N/A |
| 479-2 | 11125161 | Oil Returning Tube A | F1512-750 Black | Replace with 517 together | 2 | | |
| 481 | 80813918 | 90° Elbow | HS-E1-12X1/4 | | 1 | | |
| 483 | 75005920 | Unit Hyd. Pipe Assy | | | 1 | | |
| 484 | 80818392 | Solenoid Coil & Steel Core | EVH041 DC24V | | 1 | | |
| 485 | N/A | Solenoid Coil only | for EVH041 | Replace with 484 | 1 | | N/A |
| 486-1 | N/A | Combination Pump | Replace with Pump Set | Before Dec. 2011 | 1 | | N/A |
| 486-2 | 80818022 | Gear Pump | GPEON2-L1-A40L | After Jan. 2012 | 1 | | |
| 487 | 90890820 | Hex Bolt | HBS0820SE | | 4 | | |
| 488 | 80800018 | O Ring | P20 | | 1 | | |
| 489 | 10611121 | Pump Joint A | | | 1 | | |
| 490-1 | 90760640 | Hex Scket Head Cap Bolt | HSBS0640 | Before 0611002 | 3 | | |

Hyd. Unit

Before Dec. 2011

Model With Upper Lift

Model MUL30
Model MUL30H



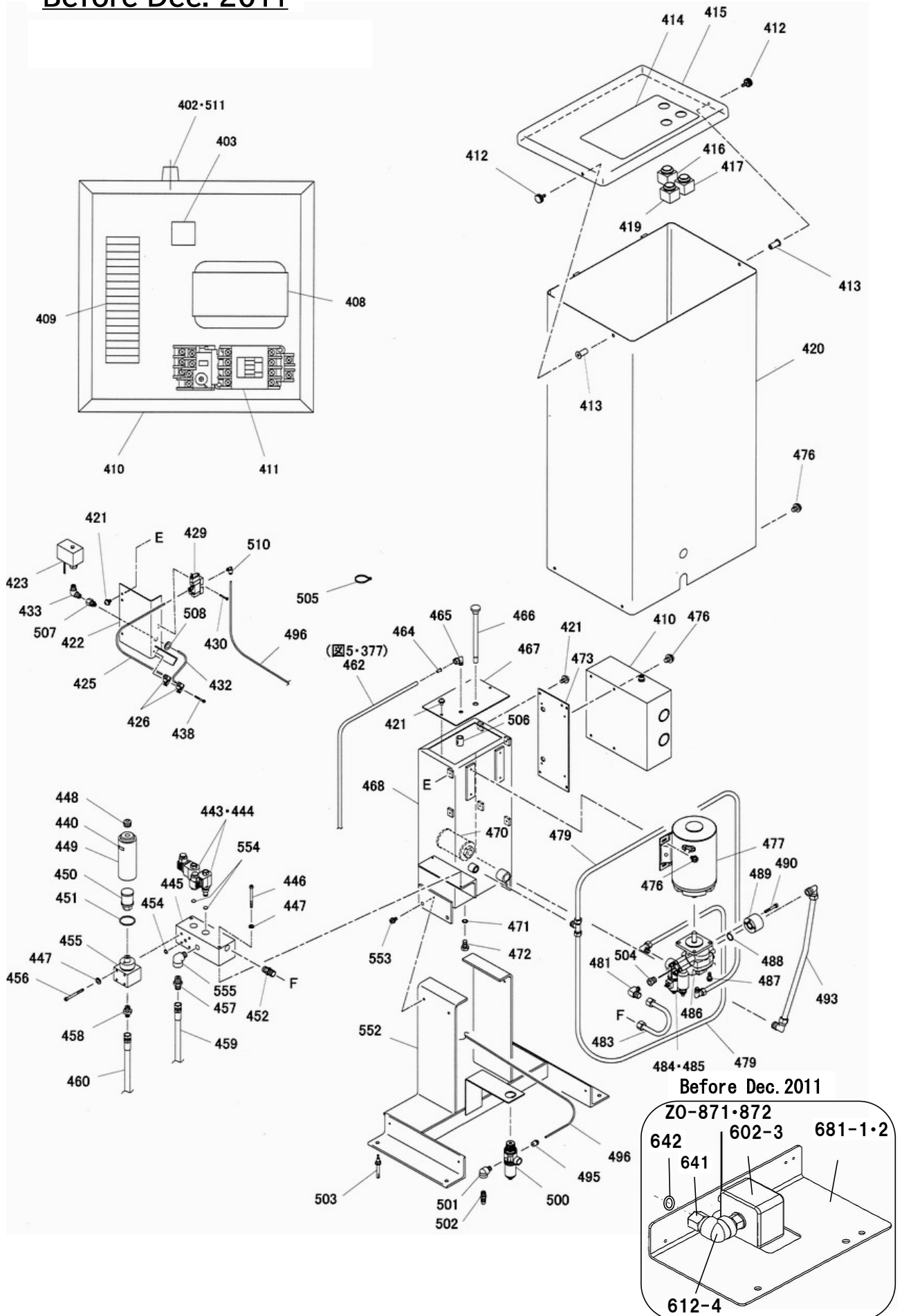
Hyd. Unit
(Before Dec. 2011)

MUL30·MUL30H Alignment
(Model with Upper Lift)

| Ill.No. | Parts No. | Parts Name | Standard | Change Date & Note | Qty/Unit | | Price/ea. |
|---------|-----------|---------------------------|--|------------------------|----------|-----|-----------|
| | | | | | 30 | 30H | |
| 490-3 | 90760645 | Hex Socket Head Cap Bolt | HSBS0645 | 0611003 | | 3 | |
| 493 | 75005960 | Oil Feeding Pipe Assy | F1515-215 | | | 1 | |
| 495 | 80817203 | Half Union | ZH-042 | New and Old compatable | | 1 | |
| 496 | 51111920 | Unit Control Tube A | F1504-900 | | | 1 | |
| 500-1 | 80821101 | Filter Regulator (Black) | W1000-8 | Before 0003002 | | 1 | |
| 500-2 | 80821173 | Filter Regulator (Silver) | B7019-2C-M | After 0003003 | | 1 | |
| 501 | 80810702 | Male and Female Elbow | STE1/4SE | | | 1 | |
| 502 | 80827501 | Air Chuck Male | PT1/4 | | | 1 | |
| 503-1 | 91011090 | Anchor Bolt | AAC-1090 | Before Aug. 1997 | | 4 | |
| 503-2 | 91010870 | Anchor Bolt (AAC-0870) | After Sep. 1997. Qty was changed after 0603008 | | | 4→2 | |
| 504 | 80814423 | Bushing | HS-M-3/8X1/4 | | | 1 | |
| 505 | 80825291 | Vinyl Fastener | CV-150 | | | 6 | |
| 506 | 80811302 | Socket | SC1/4SE | After 9701013 | | 1 | |
| 511 | 80820482 | Fuse Holder | with Fuse(F-4000 1A) | | | 1 | |
| 512 | 01497360 | Tank Foot Assy | | After 0209018 | | 1 | |
| 513 | 90770815 | Hex Bolt | HBS0815SE | After 0209018 | | 4 | |
| 514 | 90740508 | Hex Bolt | HBPO508SE | After Jul. 2004 | | 2 | |
| 515 | 80814974 | C Teese Union | MC-3123 | | | 1 | |
| 516 | 80817336 | Elbow Union | ML-2122 | | | 2 | |
| 517 | 80817662 | Insert Ring | INS-A12 | | | 4 | |
| | | | | | | | |

Hyd. Unit Before Dec. 2011

Model Without Upper Lift Model MUL30E



Hyd. Unit
(Before Dec. 2011)

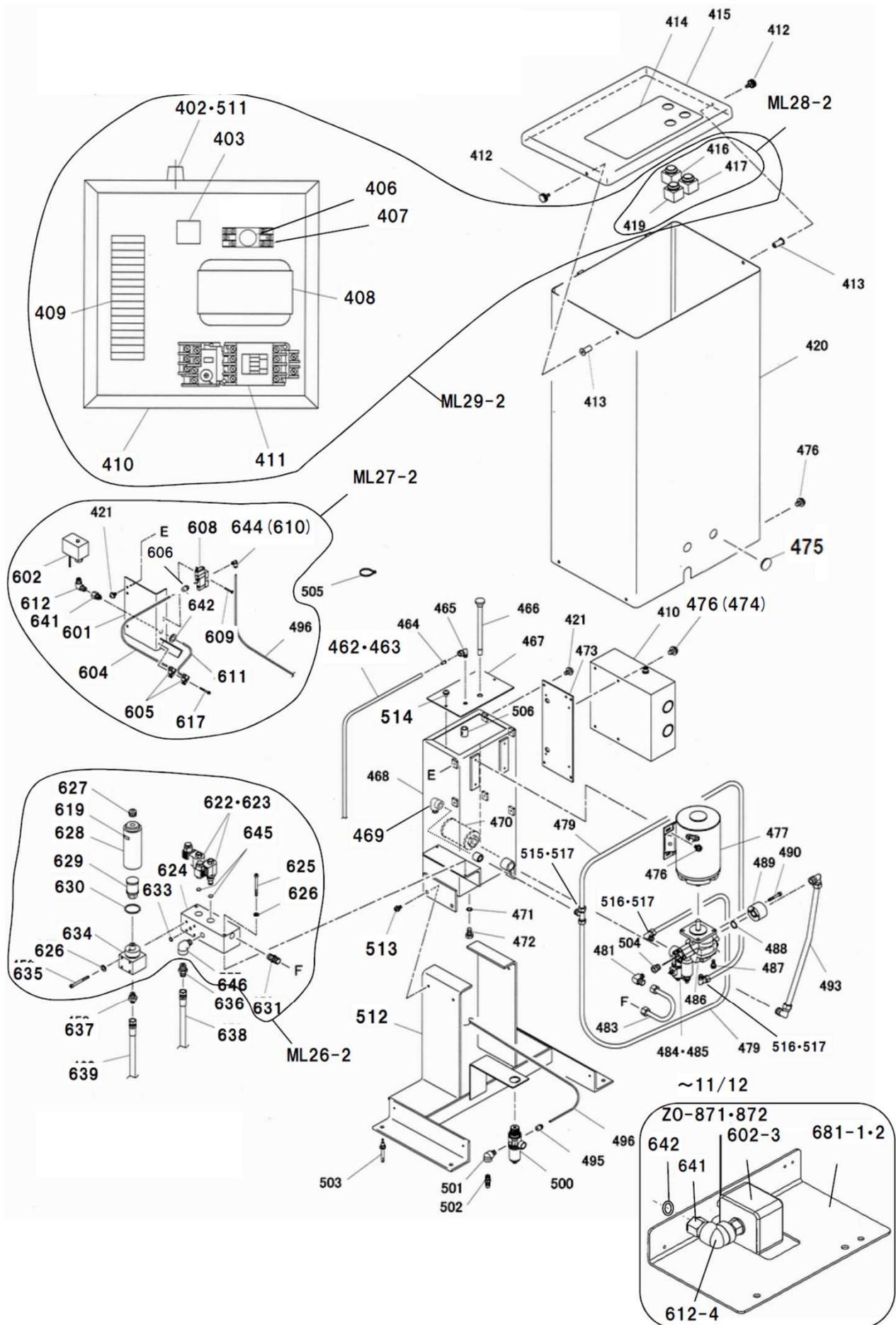
MUL30E
(Model without Upper Lift)

| Ill. No. | Parts No. | Parts Name | Standard | Change Date & Note | Qty/Unit | Price/ea. |
|----------|-----------|---------------------------------|--|---------------------------|----------|-----------|
| | | | | | 30E | |
| ML26-2 | 01497843 | Valve Manifold Assy | Old type not available | After 9902022 | 1 | |
| ML27-2 | 01497822 | Air Parts Assy | Old type not available | After 0202029 | 1 | |
| ML28-2 | 75006000 | Push Button Switch | 416-417-419 | | 1 | |
| ML29-2 | 01497862 | Wiring Set | Old type not available | After Sep. 1997 | 1 | |
| ZO-871 | 70002701 | Pressure Switch A Assy | (602-3-612-4-641-642-681-1) | Before Feb. 2000 | 1 | |
| ZO-872 | 70002702 | Pressure Switch B Assy | (602-3-612-4-641-642-681-2) | Mar. 2000~Dec. 2011 | 1 | |
| | | | | | | |
| 402 | 80820487 | Fuse | 1A | | 1 | |
| 403 | 70015270 | Rectifying Bridge and Condensor | S5VB60. 4700 μ F | | 1 | |
| 406 | 80820415 | Timer (H3Y-2-3M-DC24V) | Abolished after Sept. 1997 | | 1 | |
| 407 | 80820455 | Socket (PYF08A) | Abolished after Sept. 1997 | | 1 | |
| 408 | 80820834 | Transformer | P:200V | | 1 | |
| 410 | 51112600 | Control Box | | | 1 | |
| 411 | 80820622 | Magnet Contactor and Thermal | SW-0(Fuji)AC24V | | 1 | |
| 412 | 80826512 | Screw | NO.-3-M5X12 White | | 2 | |
| 413 | 90928132 | Well Nut | HP-1032 | | 2 | |
| 414-2 | 51113100 | Control Panel | | | 1 | |
| 415 | 01497100 | Unit Case Upper Plate | | | 1 | |
| 416 | 80820935 | Push Button Switch | ABN111(Green) Upper | | 1 | |
| 417 | 80820950 | Push Button Switch | ABN-110 (Red) Lower | | 1 | |
| 419 | 80820936 | Push Button Switch | ABN111(Black) Level | | 1 | |
| 420-1 | 01497120 | Unit Case Side Plate | | Before Aug. 1997 | 1 | |
| 420-2 | 01497122 | Unit Case Side Plate | | After Sep. 1997 | 1 | |
| 421 | 90780510 | Pan Head Screw (MSRPS0510SE) | Qty was changed after | Apr. 2004 | 8→6 | |
| 462-1 | 51112420 | Overflow Tube B | 11X6-5300 | Before 9701012 | 1 | |
| 462-2 | N/A | Overflow Tube B (U9510-5300) | Replace with ML31, 32 | 9701013~0810045 | 1 | N/A |
| 462-3 | N/A | Overflow Tube B (F1510-5300) | Replace with ML32 | After 0810016 | 1 | N/A |
| 463 | 80825023 | Hose Band | SIZE12(000) 13R | Before 9701012 | 1 | |
| 464-1 | 80812102 | Air Hose Nipple | AHN-PT1/8X7R | Before 9701012 | 1 | |
| 464-2 | 80817617 | Insert Ring | INS-U10 | 9701013~0810045 | 2 | |
| 464-3 | 80817660 | Insert Ring | INS-A10 | After 0810046 | 2 | |
| 465-1 | 80810701 | Male & Female Elbow | STE1/8SE | Before 9701012 | 1 | |
| 465-2 | 80817330 | Elbow Union | ML-2102 | After 9701013 | 1 | |
| 466 | 01507630 | Level Bar Assy | | | 1 | |
| 467-1 | 11119680 | Tank Cover | | Before 9701012 | 1 | |
| 467-2 | 11119681 | Tank Cover | | After 9701013 | 1 | |
| 468 | 01497145 | Oil Tank | Old type not available | After 1005027 | 1 | |
| 469 | 80810703 | Male & Female Elbow | STE3/8SE | Before 9902021 | 1 | |
| 470-1 | 80818950 | Strainer | SS-40610-15 | Before 9605020 | 1 | |
| 470-2 | 80818951 | Strainer | SS-40610-10 | After 9605021 | 1 | |
| 471 | 80800012 | O Ring | P12 | | 1 | |
| 472 | 90911220 | Hex Bolt | HB1220SE | | 1 | |
| 473 | 11111800 | Control Box Fixing Plate | | | 1 | |
| 474 | 90780610 | Pan Head Screw | MSRPS0610SE | Before Mar. 2000 | 8 | |
| 475-1 | 80821802 | Blind Lid | OB-13(Black) | Before Oct. 1996 | 1 | |
| 475-2 | 98279120 | Locking Hole Plug (1187) | Abolished after Sep. 1997. Nov. 1996~Sep. 1997 | | 1 | |
| 476 | 90790610 | Hex Bolt (HBPS0610SE) | Qty was changed after | Mar. 2000 | 4→12 | |
| 477 | 80820013 | Motor (200V) TWC4712AG Sanso | New and Old compatable | After 0003003 | 1 | |
| 478 | 80820014 | Motor (380/415V) TWC4712BG | | | 1 | |
| 479-1 | N/A | Drain Hose | F1512-700 (Black) | Replace with 479-2 | 2 | N/A |
| 479-2 | 11125161 | Oil Returning Tube A | F1512-750 (Black) | Replace together with 517 | 2 | |
| 481 | 80813918 | 90° Elbow | HS-E1-12X1/4 | | 1 | |
| 483 | 75005920 | Unit Hyd. Pipe Assy | | | 1 | |
| 484 | 80818392 | Solenoid Coil & Steel Core | EVH041 DC24V | | 1 | |
| 485 | N/A | Solenoid Coil only | for EVH041 | Replace with 484 | 1 | N/A |
| 486-1 | N/A | Combination Pump | Replace by Pump set | Before Dec. 2011 | 1 | N/A |
| 486-2 | 80818022 | Gear Pump | GPE0N2-L1-A40L | After Jan. 2012 | 1 | |
| 487 | 90890820 | Hex Bolt | HBS0820SE | | 4 | |
| 488 | 80800018 | O Ring | P20 | | 1 | |
| 489 | 10611121 | Pump Joint A | | | 1 | |
| 490-1 | 90760640 | Hex Socket Head Bolt | HSBS0640 | Before 0611002) | 3 | |
| 490-3 | 90760645 | Hex Socket Head Bolt | HSBS0645 | After 0611003 | 3 | |

Hyd. Unit

Before Dec. 2011

Model Without Upper Lift
Model MUL30E



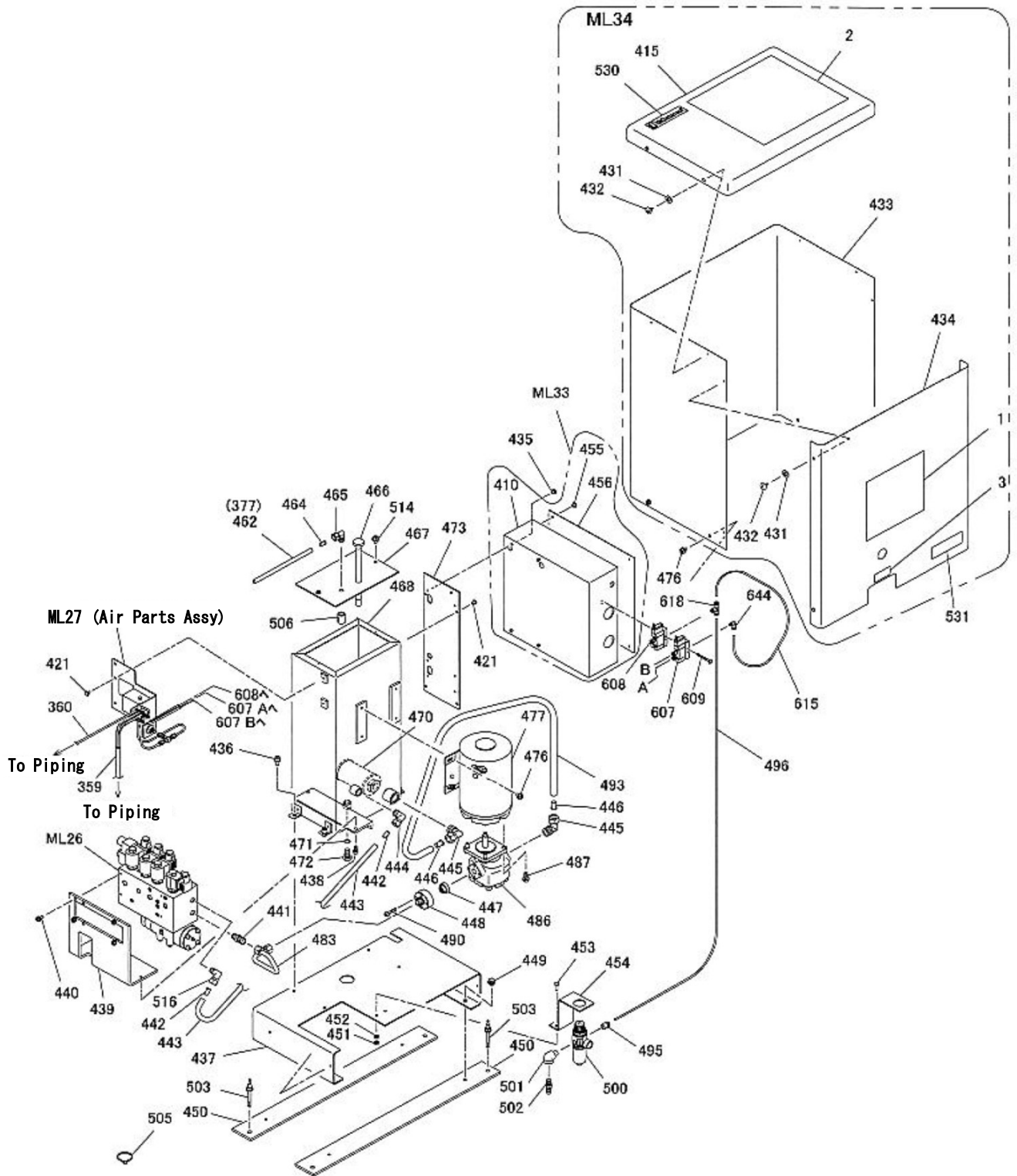
Hyd. Unit
(Before Dec. 2011)

MUL30E
(Model without Upper Lift)

| Ill.No. | Parts No. | Parts Name | Standard | Change Date & Note | Qty/Unit | Price/ea. |
|---------|-----------|-------------------------------------|---------------------------------|---------------------------|----------|-----------|
| | | | | | 30E | |
| 493 | 75005960 | Oil Feeding Pipe Assy | F1515-215 | | 1 | |
| 495 | 80817203 | Half Union | ZH-042 | New and Old compatible | 1 | |
| 496 | 51111920 | Unit Control Tube A | F1504-900 | | 1 | |
| 500-1 | 80821101 | Air Filter Regulator (Black) | W1000-8 | Before 0003002 | 1 | |
| 500-2 | 80821173 | Air Filter Regulator (Silver) | B7019-2C-M | After 0003003 | 1 | |
| 501 | 80810702 | Male & Female Elbow | STE1/4SE | | 1 | |
| 502 | 80827501 | Air Check Male | PT1/4 | | 1 | |
| 503-1 | 91011090 | Anchor Bolt | AAC-1090 | Before Aug. 1997 | 4 | |
| 503-2 | 91010870 | Anchor Bolt (AAC-0870) | After Sept. 1997. Qty was | changed after 0603008. | 4→2 | |
| 504 | 80814423 | Bushing | HS-M-3/8X1/4 | | 1 | |
| 505 | 80825291 | Vinyl Fastener | CV-150 | | 6 | |
| 506 | 80811302 | Socket | SC1/4SE | After 9701013 | 1 | |
| 511 | 80820482 | Fuse Holder | With F-4000 1A Fuse | | 1 | |
| 512 | 01497360 | Tank Foot Assy | | After 0209018 | 1 | |
| 513 | 90770815 | Hex Bolt | HBS0815SE | After 0209018 | 4 | |
| 514 | 90740508 | Hex Bolt | HBPO508SE | After Jul2004 | 2 | |
| 515 | 80814974 | C Teese Union | MC-3123 | | 1 | |
| 516 | 80817336 | Elbow Union | ML-2122 | | 2 | |
| 517 | 80817662 | Insert Ring | INS-A12 | | 4 | |
| 601-1 | 01497020 | Air Parts Fixing Plate | | Before 0202028 | 1 | |
| 601-2 | 01497021 | Air Parts Fixing Plate | | After 0202029 | 1 | |
| 602-2 | N/A | Pressure Switch (PS1) | Replace with Z0-871, or | Z0-872 | 1 | N/A |
| 602-3 | 80821215 | Pressure Switch | GS1-50-83W | used for Z0-871-872 | 1 | |
| 604-1 | 51318720 | Unit Control Tube D | F1504-130 | Before Aug. 1997 | 1 | |
| 604-2 | 51110100 | Intermediate Tube | F1504-160 | After Sep. 1997 | 1 | |
| 605 | 80817441 | Both Sides Open Elbow Union (ZF040) | New and Old compatible. Qty was | changed after Sep. 1997 | 1→2 | |
| 606 | 80817201 | Half Union (ZH-045M) | Abolished after 0003005 | | 1→0 | |
| 608-1 | 80821105 | Selex Valve (3AK110-M5) | Upper of Lower Lift | Before 0003005 | 1 | |
| 608-2 | 80821217 | Selex Valve (3GA110R-C4-3) | Front of Lower Lift | After 0003006 | 1 | |
| 609-1 | 90750320 | Pan Head Screw | MSRP0320SE | | 2 | |
| 610 | 80817042 | Turn Elbow Union | SLL-045MRV | Before Nov. 1997 | 1 | |
| 611 | 51318800 | Unit Control Tube H | F1504-200 | | 1 | |
| 612-2 | 80810702 | Male & Female Elbow | STE1/4SE | Sep. 1997~Oct. 1997 | 1 | |
| 612-3 | 80813920 | 90° Elbow | HS-SJ-1/4X1/4 | After Nov. 1997 | 1 | |
| 617-2 | 90780416 | Pan Head Screw | MSRPS0416SE | Before Aug. 1997 | 1 | |
| 617-3 | 90780430 | Pan Head Screw | MSRPS0430SE | After Sep. 1997 | 1 | |
| 619 | N/A | Manifold Label | | After 9508003 | 1 | N/A |
| 622 | 80821135 | Shut Off valve | MHW-C30FP | New and Old compatible | 2 | |
| 623 | 80818394 | Shut Off valve (Only Coil) | MHW-C30F用 | | 2 | |
| 624-2 | 11112803 | Valve Manifold | Old type not available | After 9902022 | 1 | |
| 625 | 90920670 | Hex Socket Head Bolt | HSB0670 | | 2 | |
| 626 | 90930506 | Spring Washer (SW06SE) | Qty was changed after 9902022 | | 10→6 | |
| 627 | 80850002 | Hex Socket Head Plug (HSP1/4) | Qty was changed after 9902022 | | 2→1 | |
| 628 | 00028070 | Filter Cap | Qty was changed after 9902022 | | 2→1 | |
| 629 | 80818933 | Strainer (YMD-30310-10) | Qty was changed after 9902022 | | 2→1 | |
| 630 | 80800538 | O Ring (P39-1B) | Qty was changed after 9902022 | | 2→1 | |
| 631 | 80814912 | Connector | HS-S-12X3/8 | | 1 | |
| 633 | 80800008 | O Ring (P10) | Qty was changed after 9902022 | | 2→1 | |
| 634 | 11119420 | Filter Block | Qty was changed after 9902022 | | 2→1 | |
| 635-1 | 90920660 | Hex Socket Head Bolt | HSB0660 | Before 9611055 | 8 | |
| 635-2 | 90920665 | Hex Socket Head Bolt (HSB0665) | After 9611056. Qty was | changed after 9902022 | 8→4 | |
| 636-1 | 80812955 | Adaptor | N010(G3/8/XR3/8) | Before Dec. 2011 | 1 | |
| 637-1 | 80812953 | Adaptor | N010(G1/4/XR3/8) | Before Dec. 2011 | 1 | |
| 638-1 | 11112380 | Unit Hyd.Hose C (1B280X420-06-5000) | Before Dec. 2011 | With 378・636-1 | 1 | |
| 638-2 | 11112381 | Unit Hyd.Hose C (1B280X420-06-5000) | After Jan. 2012 | With 378・No.14(G3/8XR1/4) | 1 | |
| 639-1 | 11112301 | Unit Hyd.Hose A (1B280X420-06-5000) | Before Dec. 2011 | With 345・637-1 | 1 | |
| 639-2 | 11112302 | Unit Hyd.Hose A (1B280X420-06-5000) | After Jan. 2012 | With 345・No.14(G1/4XR1/4) | 1 | |
| 641 | 80817422 | Female Union (ZE-042) | New and Old compatible. | After Sep. 1997 | 1 | |
| 642 | 90930712 | Flat Washer | PW12SE | After Sep. 1997 | 1 | |
| 644 | 80817221 | Elbow Union | ZL-045M | After Dec. 1997 | 1 | |
| 645 | 80826016 | Disc Filter | 20404200120C | After 9902022 | 3 | |
| 646 | 80813103 | Male & Female Elbow | HS-BC-3/8 | After 9902022 | 1 | |
| 681-1 | 70002960 | Air Parts Fixing Plate | for Z0-871 | After Feb. 2000 | 1 | |
| 681-2 | 70002950 | Air Parts Fixing Plate | for Z0-872 | Mar. 2000~Dec. 2011 | 1 | |

Hyd. Unit After Jan. 2012

Model MUL30·MUL30E
Model MUL30H Alignment



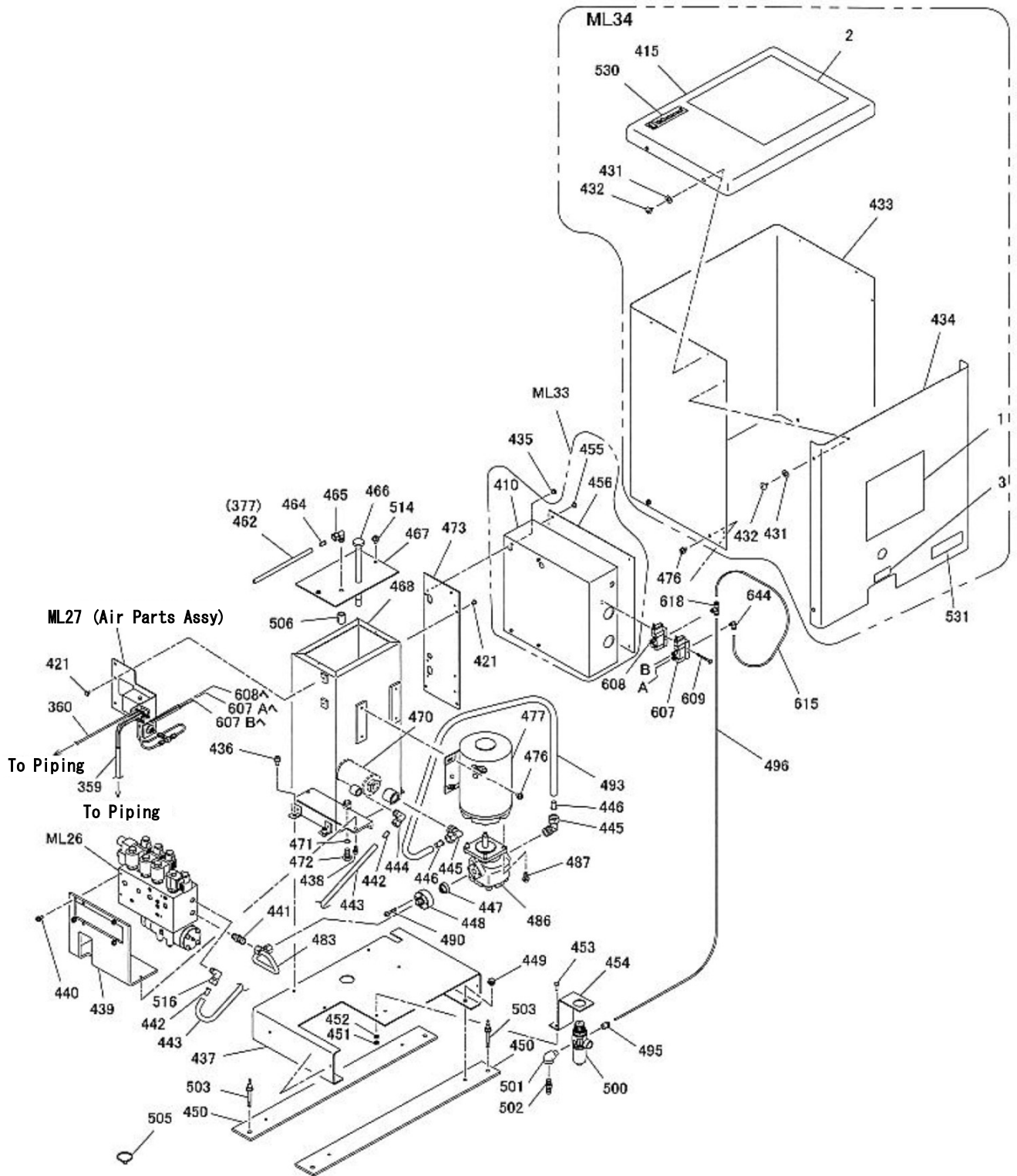
Hyd. Unit
(After Jan. 2012)

MUL30·MUL30E·MUL30H Alignment

| Ill.No. | Parts No. | Parts Name | Standard | Change Date & Note | Qty/Unit | | Price/ea. |
|---------|------------------|-----------------------------|------------------------|----------------------|----------|-----|-----------|
| | | | | | 30・30H | 30E | |
| ML26-1 | 01497044 | Valve Manifold Assy | | | 1 | N/A | |
| ML26-2 | 01497844 | Valve Manifold Assy | | | N/A | 1 | |
| ML27-1 | 01497003 | Air Parts Assy | | | 1 | N/A | |
| ML27-2 | 01497823 | Air Parts Assy | | | N/A | 1 | |
| ML33 | 01497381 | Control Box Assy | 410-457-458 | | 1 | | |
| ML34-1 | 75005550 | Push Button Switch Assy | 741~748 | | 1 | N/A | |
| ML34-2 | 75006010 | Push Button Switch Assy | 741~743-746-748 | E Type | N/A | 1 | |
| 1 | 11025140 | Capacity Chart Label | (Only Alignment Model) | | 1 | 1 | |
| 2 | Refer to Page 48 | Caution Label A1 | (With Illustration) | Ask English Label | 1 | 1 | Pls Ask |
| | | Caution Label A2 | | Ask English Label | 1 | 1 | |
| 3 | 11025380 | Caution Label E | New and Old compatible | After 0509029 | 1 | 1 | |
| 359-1 | 51111880 | Unit Control Tube B | PX0404-5300 | | 1 | N/A | |
| 359-2 | 51113120 | Unit Control Tube | PX0402-5300 | | N/A | 1 | |
| 360 | 51111900 | Unit Control Tube C | F1504-5300 Black | | 1 | N/A | |
| 410-2 | 11111850 | Control Box | | | 1 | | |
| 415-2 | 75005690 | Unit Case Upper Plate Assy | With 2-530 | | 1 | | |
| 421 | 90780510 | Pan Head Screw | MSRPS0510SE | | 6 | | |
| 431 | 90930705 | Flat Washer | PW05SE | | 4 | | |
| 432 | 90862930 | Screw | SRHFST0508SE | | 4 | | |
| 433 | 11112021 | Unit Case Side Plate B | | | 1 | | |
| 434-1 | 75005680 | Unit Case Side Plate A Assy | With 3 | | 1 | | |
| 434-2 | 75006290 | Unit Case Side Plate A Assy | With 1-3 | Alignment Model only | 1 | N/A | |
| 435 | 90800608 | Screw | MSRS0608SE | | 4 | | |
| 436 | 90760815 | Hex Socket Head Cap Bolt | HSBS0815 | | 4 | | |
| 437 | 01497480 | Unit Chassis | | | 1 | | |
| 438 | 90760615 | Hex Socket Head Cap Bolt | HSBS0615 | | 2 | | |
| 439 | 51112660 | Manifold Bracket | | | 1 | | |
| 440 | 90790615 | Hex Bolt | HBPS0615SE | | 4 | | |
| 441 | 80814910 | Connector | HS-S-10X1/4 | | 1 | | |
| 442 | 80817669 | Insert Ring | INS-A12-9 | | 2 | | |
| 443 | 01497500 | Oil Returning Tube Assy | F1512-520 Black | With 442-444・516 | 1 | | |
| 444 | 80817334 | Elbow Union | ML-2123 | | 1 | | |
| 445 | 80817380 | Elbow Union | ML-2154 | | 2 | | |
| 446 | 80817615 | Insert Ring | INS-F15 | | 2 | | |
| 447 | 80818531 | Check Valve | V1095-001 | | 1 | | |
| 448 | 11317580 | Pump Joint | | | 1 | | |
| 449 | 90790812 | Hex Bolt | HBPS0812SE | | 4 | | |
| 450 | 51112720 | Anchor Bolt Base | | | 2 | | |
| 451 | 90930106 | Hex Nut | HNO6SE | | 2 | | |
| 452 | 90930506 | Spring Washer | SW06SE | | 2 | | |
| 453 | 90910618 | Hex Bolt | HBO618SE | | 2 | | |
| 454 | 51112700 | Air Filter Fixing Plate | | | 1 | | |
| 455 | 90750408 | Pan Head Screw | MSRP0408SE | | 4 | | |
| 456 | 11111841 | Control Box Cover | | | 1 | | |
| 462-3 | 51112423 | Overflow Tube B | F1510-5300 Black | | 1 | | |
| 464-3 | 80817660 | Insert Ring | INS-A10 | | 1 | | |
| 465-2 | 80817330 | Elbow Union | ML-2102 | | 1 | | |
| 466 | 01507630 | Level Bar Assy | | | 1 | | |
| 467-2 | 11119681 | Tank cover | | | 1 | | |
| 468-2 | 01497146 | Oil Tank | | | 1 | | |
| 470-2 | 80818951 | Strainer | SS-40610-10 | | 1 | | |
| 471 | 80800250 | O Ring | P12 | | 1 | | |
| 472 | 90911220 | Hex Bolt | HB1220SE | | 1 | | |
| 473-2 | 11111801 | Control Box Fixing Plate | | | 1 | | |
| 476 | 90790610 | Hex Bolt | HBPS0610SE | | 8 | | |
| 477 | 80820013 | Motor (200V) | TWC4712AG (Sanso) | | 1 | | |
| 478 | 80820014 | Motor (380/415V) | TWC4712BG (Sanso) | | 1 | | |
| 483-2 | 01497440 | Unit Hyd. Pipe Assy | With Sleeve and Nut | | 1 | | |
| 486-2 | 80818022 | Gear Pump | GPEON2-L1-A30L | | 1 | | |
| 487-2 | 90770820 | Hex Bolt | HBS0820SE | | 4 | | |
| 490-4 | 90760630 | Hex Socket Head Cap Bolt | HSBS0630 | | 4 | | |

Hyd. Unit After Jan. 2012

Model MUL30·MUL30E
Model MUL30H Alignment



Hyd. Unit
(After Jan. 2012)

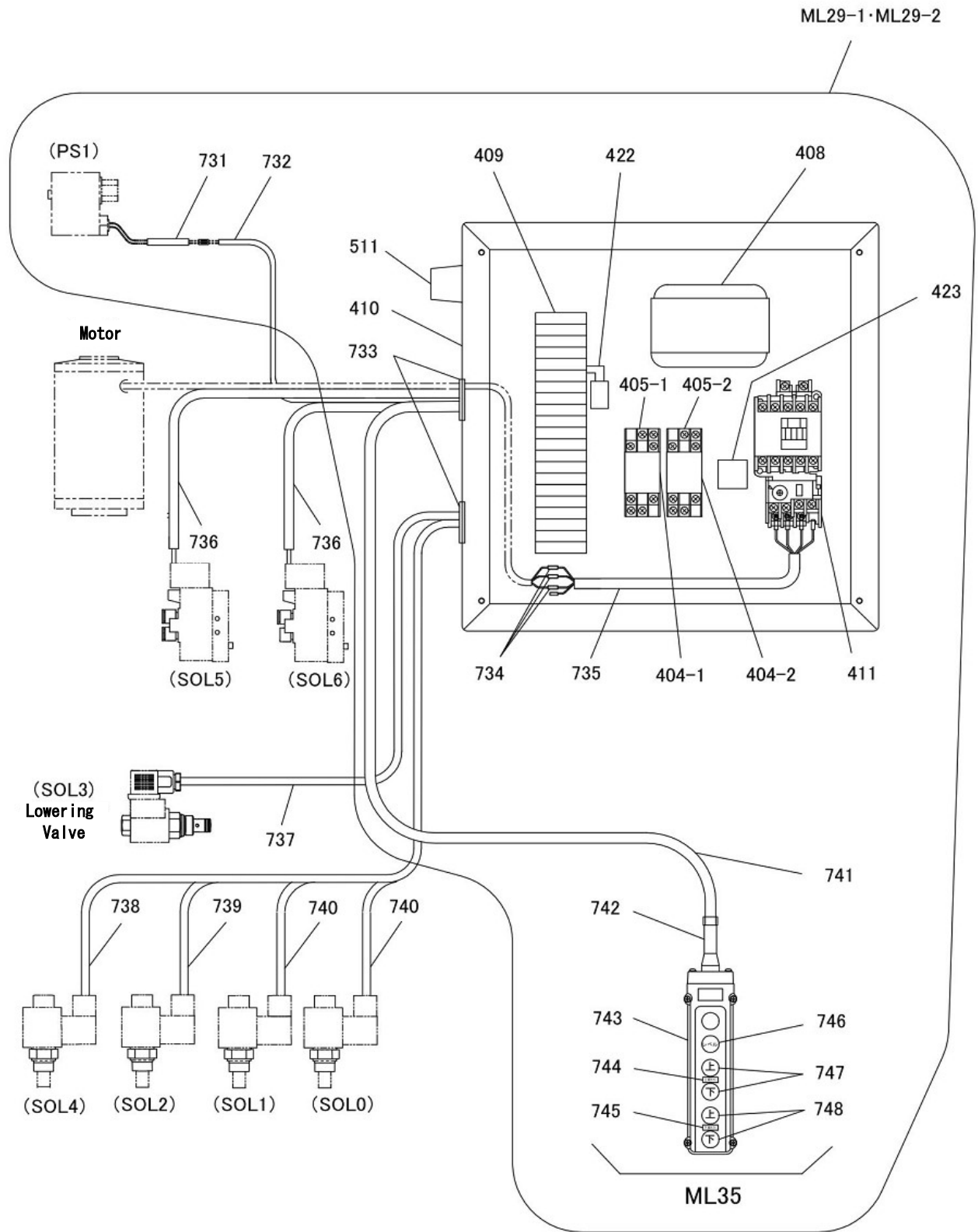
MUL30·MUL30E·MUL30H Alignment

| Ill.No. | | Parts Name | Standard | Change Date & Note | Qty/Unit | | Price/ea. |
|--------------|----------|-------------------------------|------------------------------|--------------------|----------|-----|-----------|
| | | | | | 30·30H | 30E | |
| 493-2 | 01497460 | Oil Feeding Pipe Assy | F1515-900 Black | With 445 · 446 | 1 | | |
| 495 | 80817203 | Half union | ZH-042 | | 1 | | |
| 496-2 | 51112680 | Unit Control tube A | F1504-450 Black | | 1 | | |
| 500-2 | 80821173 | Air Filter Regulator | B7019-2C-M | | 1 | | |
| 501 | 80810702 | Male & Female Elbow | STE1/4SE | | 1 | | |
| 502 | 80827504 | Air Chuck Male | PT1/4 | | 1 | | |
| 503-2 | 91010870 | Anchor Bolt | AAC-0870 | | 2 | | |
| 505 | 80825291 | Vinyl Fastener | CV-150 | | 6 | | |
| 506 | 80811302 | Socket | SC1/4SE | | 1 | | |
| 514 | 90740508 | Hex Bolt | HBP0508SE | | 2 | | |
| 516 | 80817336 | Elbow Union | ML-2122 | | 1 | | |
| 530 | 52606403 | Bishamon Label | | | 1 | | |
| 531 | 51110120 | Serial Plate | Serial No. Info. is required | | 1 | | |
| 607-2 | N/A | Selex Valve (4GA110-C4-DC24V) | Replace with 607-3 | Before Mar. 2016 | 1 | N/A | N/A |
| 607-3 | 80821216 | Selex Valve | 4GA110R-C4-3 DC24V | After 1604001 | 1 | N/A | |
| 608-2 | N/A | Selex Valve (3GA110-C4-DC24V) | Replace with 608-3 | Before Mar. 2016 | 1 | | N/A |
| 608-3 | 80821217 | Selex Valve | 3GA110R-C4-3 DC24V | After 1604001 | 1 | | |
| 609-2 | 90750330 | Pan Head Screw | MSRP0330SE | | 1 | N/A | |
| 609-1 | 90750320 | Pan Head Screw | MSRP0320SE | | N/A | 1 | |
| 615-2 | 11119240 | Unit Control tube B | F1504-300 Black | | 1 | | |
| 618-3 | 80817281 | C Union | ZC-045M | | 1 | | |
| 644 | 80817221 | Elbow Union | ZL-045M | | 1 | | |
| | | | | | | | |

Wiring

After Jan. 2012

Model MUL30•MUL30E
Model MUL30H Alignment



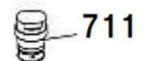
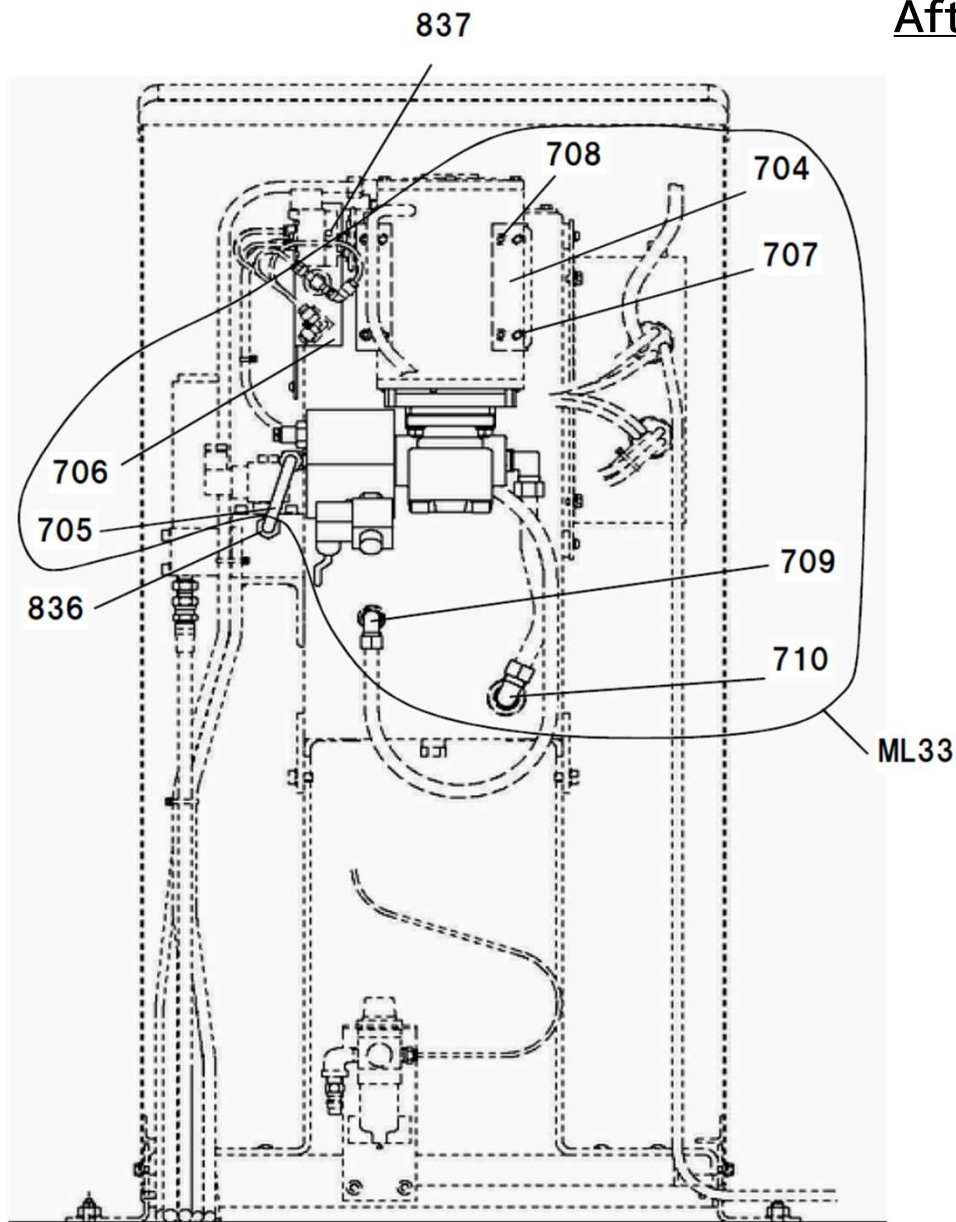
Wiring
(After Jan. 2012)

MUL30・MUL30E・MUL30H Alignment

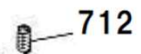
| Ill. No. | | Parts Name | Standard | Change Date & Note | Qty/Unit | | Price/ea. |
|----------|----------|----------------------------|------------------------------|--------------------|----------|-----|-----------|
| | | | | | 30・30H | 30E | |
| ML29-1 | 01497063 | Wiring Set | | | 1 | N/A | |
| ML29-2 | 01497863 | Wiring Set | | | N/A | 1 | |
| ML35-1 | 75005550 | Push Button Switch Assy | 741~748 | | 1 | N/A | |
| ML35-2 | 75006010 | Push Button Switch Assy | 741~743・746・748 | | N/A | 1 | |
| 404-1 | 80820406 | Relay | HH54P-LDC24V | | 2 | N/A | |
| 404-2 | 80803600 | Mini Control Relay | HH52P-L | | 2 | N/A | |
| 405-1 | 80820453 | Socket | TP514X1 | | 2 | N/A | |
| 405-2 | 75006160 | Socket | TP58X1 | | 2 | N/A | |
| 408 | 80820839 | Transformer | P:200VS:2060VA | | 1 | | |
| 409-1 | 75006170 | Terminal Block | F-1522P | | 1 | N/A | |
| 409-2 | 75006180 | Terminal Block | F-1515P | | N/A | 1 | |
| 410 | 11111841 | Control Box Cover | | | 1 | | |
| 411 | 75005560 | Magnet Contactor & Thermal | SW-05(1a1b)AC24VTR-ON(7-11A) | | 1 | | |
| 511 | 80820482 | Fuse Holder | With F40001A FUSE | | 1 | | |
| 731 | 75005570 | Vinyl Tube | 9X10 Black L=400 | | 1 | | |
| 732-1 | 75005580 | PS Cable | VCTF0.75SX2C-400 | | 1 | N/A | |
| 732-2 | 75006020 | PS Cable | VCTF0.75SX2C-400 | | N/A | 1 | |
| 733 | 80821636 | Flexible Bushing | KG-016 L=109 | | 2 | | |
| 734 | 98279900 | Cap Con | 0A-QM4 | | 3 | | |
| 735 | 75005590 | Extension Cable | VCTF2SX4C-300 | | 1 | | |
| 736 | 75005600 | Vinyl Tube | 9X10(黒) L=200 | | 2 | 1 | |
| 737-1 | 75005630 | SOL3 Cable | VCTF0.75SX2C-700 | | 1 | N/A | |
| 737-2 | 75006050 | SOL3 Cable | VCTF0.75SX2C-700 | | N/A | 1 | |
| 738 | 75005640 | SOL4 Cable | VCTF0.75SX2C-700 | | 1 | N/A | |
| 739-1 | 75005620 | SOL2 Cable | VCTF0.75SX2C-700 | | 1 | N/A | |
| 739-2 | 75006040 | SOL2 Cable | VCTF0.75SX2C-700 | | N/A | 1 | |
| 740-1 | 75005610 | SOL0.1 Cable | VCTF0.75SX2C-700 | | 2 | N/A | |
| 740-2 | 75006030 | SOL1 Cable | VCTF0.75SX2C-700 | | N/A | 1 | |
| 741-1 | 75005650 | Push Button Switch Cable | SVCTF0.75SX9C-10m | | 1 | N/A | |
| 741-2 | 75006060 | Push Button Switch Cable | SVCTF0.75SX7C-10m | | N/A | 1 | |
| 742 | 80821719 | Cable Bushing | C12 | | 1 | | |
| 743-1 | 80821463 | Push Button Switch | COB73 | | 1 | N/A | |
| 743-2 | 75023270 | Push Button Switch | COB72 | | N/A | 1 | |
| 744-1 | 75005660 | Aluminum Plate (Up) | 5.9X25 | Before 1209039 | 1 | N/A | |
| 744-2 | 11029960 | Acrylic Plate (Up) | | After 1209040 | 1 | N/A | |
| 745-1 | 75005665 | Aluminum Plate (Down) | 5.9X25 | Before 1209039 | 1 | N/A | |
| 745-2 | 11029980 | Acrylic Plate (Down) | | After 1209040 | 1 | N/A | |
| 746 | 80654106 | Switch UNS | UNSCH11 | | 1 | | |
| 747 | 80654115 | Switch | UNCCHK11 | | 1 | N/A | |
| 748 | 80654107 | Switch UNS | UNCCHD11 | | 1 | | |
| 422 | 75005530 | Condensor | 4700UF 50V | | 1 | | |
| 423 | 80820587 | Rectifying Bridge | S5VB60 | | 1 | | |

Countermeasure Parts for Old Shimadzu Pump

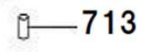
After Jan. 2012



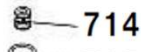
711



712



713



714

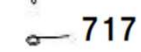


715

NNZ40



716



717

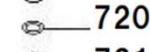
ESC73



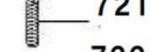
718



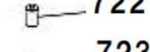
719



720



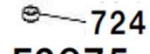
721



722

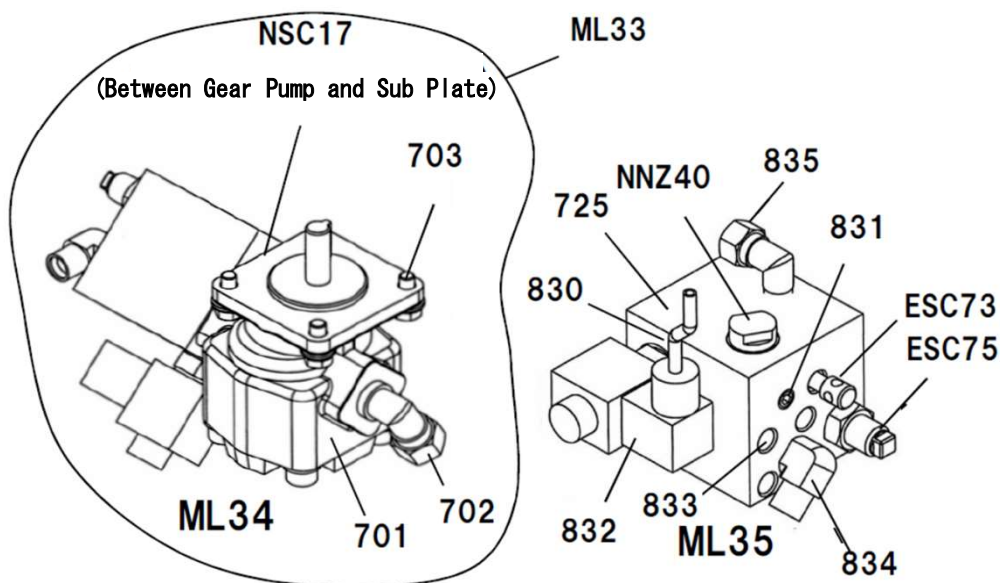


723



724

ESC75



829

726

727

728

829

NSC17

Countermeasure Parts for Old Shimazdu Combination Pump

※ Old Shimazdu Combination Pump is no longer available, but compatible with ML33 of below.

| Ill. No. | Parts No. | Parts Name | Standard | Change Date & Note | Qty/Unit | Price/ea. |
|--------------|-----------|-------------------------|-------------------------------------|------------------------|----------|-----------|
| ML33 | 70818701 | Pump Set (Z0-844) | ML34・704~710 | After Apr. 2012 | 1 | |
| ML34 | 70818711 | Pump Assy (Z0-844) | ML35・701~703 | | 1 | |
| ML35 | 70818831 | Sub Plate Assy (Z0844) | NNZ40・ESC73・ESC75・725・NSC17・829~837 | | 1 | |
| | | | | | | |
| 701 | 80818022 | Gear Pump | GPE0N2-L1-A30L | | 1 | |
| 702 | 80817335 | Elbow Union | ML-2154S | | 1 | |
| 703 | 90790817 | Hex Bolt | HBPS0820SE | | 4 | |
| 704 | 76818071 | Motor Fixing Plate | Z0-844 | | 1 | |
| 705 | 70818431 | Unit Hyd. Pipe Assy | Z0-844 | | 1 | |
| 706 | 76818441 | Air Parts Fixing Plate | Z0-844 | | 1 | |
| 707 | 90790610 | Hex Bolt | HBPS0610SE | | 4 | |
| 708 | 90920615 | Hex Socket Head Bolt | HSB0615 | | 4 | |
| 709 | 80817334 | Elbow Union | ML-2123 | | 1 | |
| 710 | 80817335 | Elbow Union | ML-2154S | | 1 | |
| | | | | | | |
| NNZ40 | 70124402 | Flow Control Valve Assy | 711~715 | | 1 | |
| 711 | 11501320 | Flow Control Housing | | | 1 | |
| 712 | 11788360 | Flow Control Spring | | | 1 | |
| 713 | 50627850 | Flow Control Stopper | | | 1 | |
| 714 | 11501120 | Flow Control Spool | | | 1 | |
| 715 | 80800516 | O Ring | P16-1B | | 2 | |
| | | | | | | |
| ESC73 | 00434620 | Lowering Assy | 716-717 | | 1 | |
| 716 | 11501220 | Lowering Valve | | | 1 | |
| 717 | 80800506 | O Ring | P8-1B | | 1 | |
| | | | | | | |
| ESC75 | 00434660 | Relief Valve S Assy | 718~724 | | 1 | |
| 718 | 90931140 | Nut | HN16(3) SE | | 1 | |
| 719 | 11500790 | Relief Screw | | | 1 | |
| 720 | 80800012 | O Ring | | | 1 | |
| 721 | 50562451 | Relief Spring | | | 1 | |
| 722 | 11531000 | Relief Spool Housing | | | 1 | |
| 723 | 80843022 | Steel Ball | | | 1 | |
| 724 | 11529780 | Relief Spool | | | 1 | |
| 725 | 11363420 | Sub Plate | | | 1 | |
| | | | | | | |
| NSC17 | 00162160 | Check Valve Assy | 726~728・829 | | 1 | |
| 726 | N/A | チェック弁ケース | | Replace with NSC17 | 1 | N/A |
| 727 | N/A | チェックバルブ | | Replace with NSC17 | 1 | N/A |
| 728 | N/A | チェックバルブ | | Replace with NSC17 | 1 | N/A |
| 829 | 80800518 | O Ring | P20-1B | | 2 | |
| 830 | 76818111 | Lowering Valve Cable | | (Z0-844) | 1 | |
| 831 | 80850011 | Hex Socket Head Plug | HSP1/8 | | 5 | |
| 832 | 80818568 | Electro Check Valve | Oilsistem | | 1 | |
| 833 | 90920665 | Hex Socket Head Bolt | HSB0665 | | 4 | |
| 834 | 80813910 | 90° Elbow | HS-E1-10×1/4 | | 1 | |
| 835 | 80817336 | Elbow Union | ML-2122 | | 1 | |
| 836 | 80814911 | Connector | HS-S-10X3/8 | | 1 | |
| 837 | 90750335 | Pan Head Screw | MSRP0335SE | for fixing Selex Valve | 2 | |
| | | | | | | |

Labels - No Parts No. These labels have no Parts No.

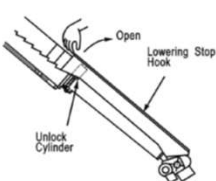
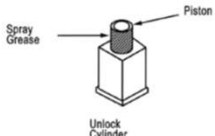
Page 2, 40 – No. 2
Caution Label A1

| ⚠ DANGER | | | | |
|---|---|---|--|---|
|  | When Hoist Is Operating DO NOT get under the vehicle. DO NOT allow others to get under vehicle. |  | IF THE VEHICLE STARTS TO FALL FROM HOIST, Move away quickly. DO NOT ATTEMPT TO SUPPORT VEHICLE. A damaged vehicle may be repaired. Not always operator. | |
| ⚠ WARNING ! | | | | |
|  |  |  |  |  |
| READ and be familiar with the operating manual for this lift. | DO NOT use lift unless you have been trained in it's operation. * Incorrect operation may result in an accident. | Vehicle must be positioned evenly. DO NOT lift offside vehicle. | DO NOT lift vehicle by one end or by one side only. | KEEP HANDS CLEAR of hoist and vehicle when operating lift. |
|  |  |  |  |  |
| DO NOT lower the lift while any stand or support is in position under vehicle. DO NOT use "Down" motion of lift to push parts into position. | Pay attention to tilting of lift in operation. If vehicle should tilt, rectify by following the instructions of operation manual. | KEEP FEET CLEAR of hoist and vehicle when lowering lift. | DO NOT under any circumstances modify this lift. | Position supporters under correct lifting points. |
|  | Keep this warning label in good condition. If it becomes damaged or illegible, contact your supplier for a replacement. | | | |
| Electrical Hazard ! DO NOT open control box or remove cover plates without isolating electrical supply. | The warnings on this label are for your safety. To disregard the warnings may result in serious injury or death. | | | |
| MUL30-000014-01E1 | | | | |

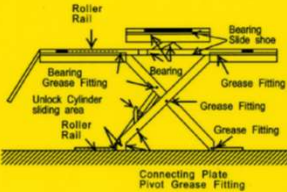
Page 2, 40 – No. 2
Caution Label A2

| ⚠ CAUTION |
|---|
| <p>Daily Inspections. To be performed each day before first operation.</p> <ul style="list-style-type: none"> * Raise and lower lift without a load and check for any abnormality. * Check for oil or air leakage. * Check air pressure regulator for correct pressure (0.49Mpa - 5Kg/cm2). * DO NOT USE with higher air pressure. * Air supply to filter/regulator must not exceed 0.98MPa (10Kg/cm2). * Check for correct operation of electrical controls. * Check that safety devices are functioning. <p>Pre-Operation Checks</p> <ul style="list-style-type: none"> * Only a trained operator is to use this lift. Keep others away from lift and controls. * This lift is designed for motor vehicle servicing. DO NOT use for other purposes. * Lift capacity is 3,000 kg. DO NOT attempt to lift heavier loads. * Any load unbalanced between left and right sides must be within 300 Kgs. * Position supporters under correct vehicle lifting points. If vehicle lifting points can not be positively identified then consult vehicle manufacturers manual. DO NOT lift vehicle if you are in doubt. * DO NOT operate lift if safety devices are not functioning. * Check condition of rubber supporters of Upper Lift. Keep them clean and free of oil and grease. <p>When Lifting and Lowering</p> <ul style="list-style-type: none"> * PAY ATTENTION. Observe the lift operation at all times. * When using Upper Lift, stop lifting after supporters have made firm contact with vehicle and check supporter locations and security. * When using Upper Lift, DO NOT use any other supportings but standard Sill Support Block between supporters and lifting points. * DO NOT lift loaded vehicles. They may be unbalanced. * DO NOT lift vehicles with passengers inside. * After pushing "Down" button, make sure to wait 1 or 2 seconds before pushing other buttons. * Make sure that safety hooks are engaged before getting under vehicle. * DO NOT lower lift before clearing area of persons and objects. * If vehicle should tilt during lifting or lowering operations: Adjust the height by following instructions of Operation Manual. Improper operation may result in unbalance and cause falling down of the vehicle. * If the Jacking Beam is used with Pit installation model. DO NOT lower the Lower Lift below 350 mm height. Make sure to move the Jacking Beam to hanger before lowering lift to floor. * Make sure lift is fully lowered before entering or leaving vehicle. * When the legs are used for alignment model lift, make sure the legs are set properly. * If lift will not lower. Raise lift and then lower. <p>Generally</p> <ul style="list-style-type: none"> * DO NOT modify this lift in any way. * This lift is not weatherproof and is not to be used outdoors or for vehicle washing. * Be cautious at all times. Do not operate lift if you suspect that there is a malfunction. * DO NOT leave lift unattended when only partly raised. Safety hooks are not fitted at low positions and lift may lower and cause vehicle damage. * If leaving lift or not using lift, make sure to lower to floor. * If the tire is in free (neutral) conditions, make sure to put wheel Chock or set the Parking Brake. <p>Maintenance</p> <ul style="list-style-type: none"> * Always maintain lift in accordance with operation manual. <p style="text-align: center; color: red; font-weight: bold;">DO NOT USE THIS LIFT AT ALL IF REPAIRS ARE REQUIRED OR IF YOU SUSPECT A MALFUNCTION.</p> <p style="font-size: x-small;">Regular inspections and routine maintenance are essential for the safe operation of this lift. The procedures are detailed in the operation manual and they must be adhered to. You must keep a written record of inspections and repairs that includes the date of inspection/repair and the name of the inspector/repairer and details of work done.</p> <p style="text-align: right; font-size: x-small;">MUL30-000008-02E2</p> |

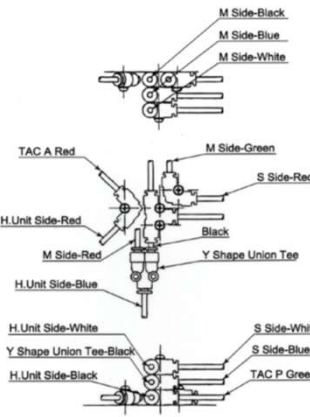
Page 2 – No. 18
Regular Inspection Label

| Maintenance |
|--|
| <p>Lubrication to Unlock Cylinder</p> <p>Make sure to lubricate monthly to maintain the lift in good condition.</p> <p>Procedure</p> <ol style="list-style-type: none"> 1 Raise the lift to max height. 2 Open the Lowering Stop Hook as per right side illustration. (Be careful with any shavings) 3 Push Lower button instantly once or twice and check if the piston of unlock cylinder comes out. (Be careful that to keep pushing would result in lowering of the lift) 4 Lubricate the spray grease around the piston of unlock cylinder as below. <div style="text-align: center;">  </div> <div style="text-align: center;">  </div> <ol style="list-style-type: none"> 5 Close the Lowering Stop Hook (Return to original position). Pay attention lest fingers should be pinched between Lowering Stop Hook and cylinder when it is closed. 6 Push the Lower button twice or 3 times so that spray grease would spread. 7 Lower the lift to lowest position. <p>* Make sure to cut the power off before performing procedure 4 and 5. If repairs are required for natural lowering etc., contact the dealers for service, and lubricate after the lift was repaired.</p> <p style="text-align: right; font-size: x-small;">MUL30-000012-01E</p> |

Page 2 – No. 16
Lubrication Instruction Label

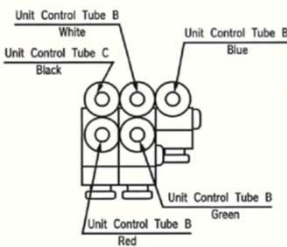
| Lubrication Instruction |
|--|
| <ul style="list-style-type: none"> ○ Connecting Plate Pivot Points Make sure to lubricate the pins with well penetrating lubricants such as spray grease etc monthly. ○ Other lubricating points Lubricate grease or oil monthly. <p>Cautions :</p> <ul style="list-style-type: none"> - When lubricating lift, lift up to the certain height for easy access to lubricate, and then turn off the power. - If lift is not lubricated longer period, it might result in the abnormal noise and failure of lift functioning. <div style="text-align: right;">  </div> <p style="text-align: right; font-size: x-small;">MUL30-000011-02E</p> |

Page 18, 20, 22 – No. 340
Base Air Piping Label



MUL30-900016-02E

Page 28, 30 – No. 647
Air Piping Label



MUL30-810002-02

Bishamon



Sugiyasu Corporation

3-21, 4-Chome, Hongo-Cho, Takahama City,
Aichi, Japan 444-1394
Tel. 81-566-53-1126, Fax. 81-566-53-1844
<http://www.bishamon.co.jp/>